

### Features

- Vitreous china
- Round bowl
- Includes seat
- Includes polished chrome trip lever
- Siphonic wash down flushing system
- 3.75 liter per flush
- 305 mm rough-in for S-trap
- 745 x 379 x 770 mm

## TWO-PIECE TOILET WITH SEAT K-18846X



### Codes/Standards Applicable

Specified model meets or exceeds the following:

- ASME A112.19.2/CSA B45.1
- TIS 792-2554

### Technical Information

Fixture:	
Configuration	two-piece, round
Water per flush	3.75 liter
Passageway	50 mm
Water area	140 x 120 mm
Water depth from rim	210 mm
Seat post hole centers	140 mm

Included Components:	
Bowl	K-12402X
Tank	K-17126X-LT
Tank cover	1072350-SP
Round seat	K-17284X

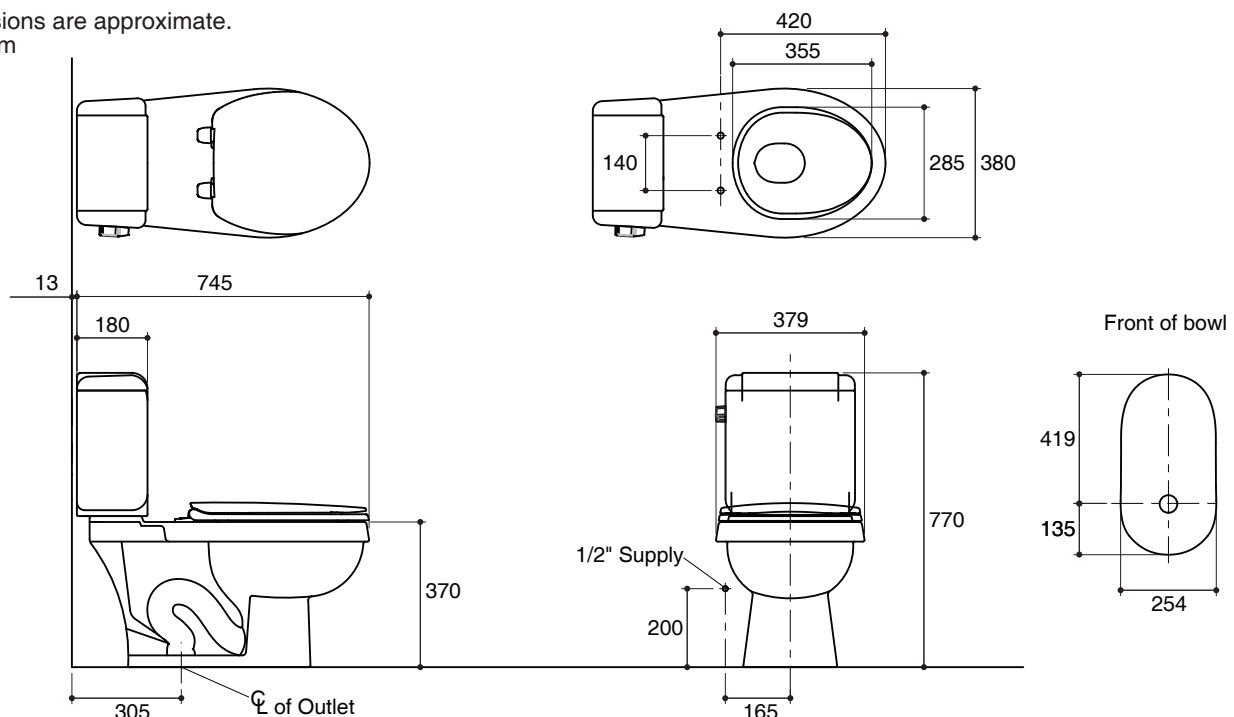
### Installation Notes

Install this product according to the installation guide.

### Specified Model

Model	Description	Color/Finished
K-18846X	Ocean two-piece toilet, S-trap with seat	WK: Diamond White

Dimensions are approximate.  
Unit: mm



Note: The recommended dimension for installation can be adjusted according to user preferences and layout.

### Product Diagram

