

99979T-4CD Recessed Shower Valve-Cold Water Only

BEFORE YOU BEGIN

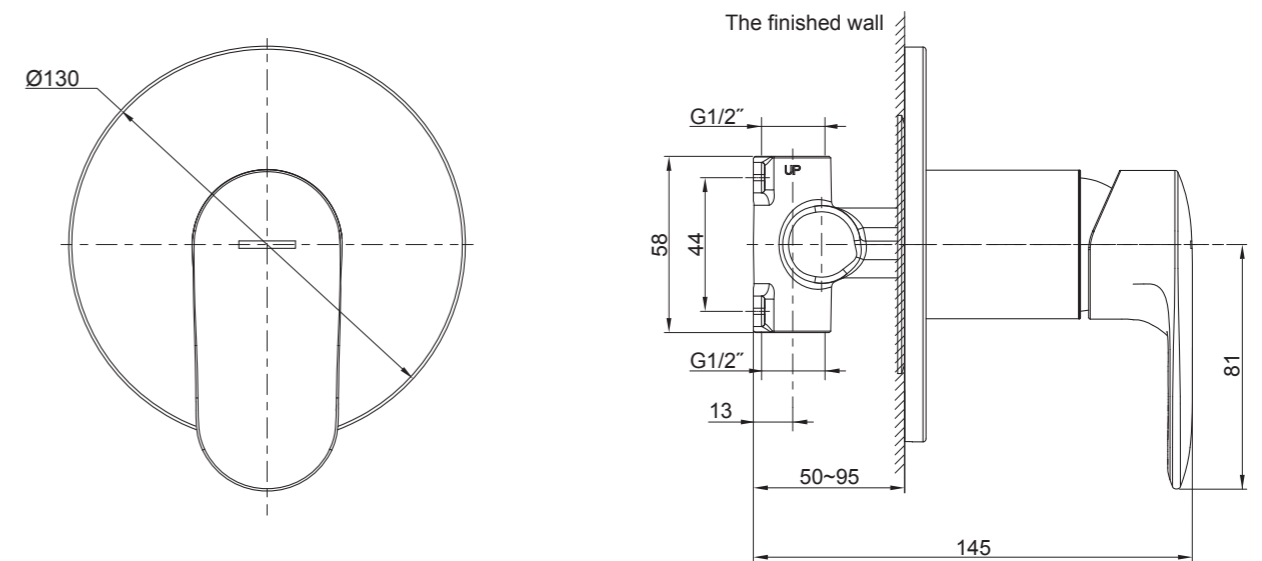
All information is based on the latest product information available at the time of publication. Kohler Co. reserves the right to make changes in product characteristics, packaging, or availability at any time without notice.

Please leave these instructions for the consumer. They contain important information.

NOTES:

1. Flush the water supply pipe thoroughly to remove debris.
2. Inspect the supply tubing for damage and leakage. Replace and maintain as necessary.
3. Observe local plumbing codes.
4. Shut off the water supply to the fitting.

ROUGH-IN DIMENSIONS



*Dimensions are approximate.
*Unit: mm

INSTALLATION

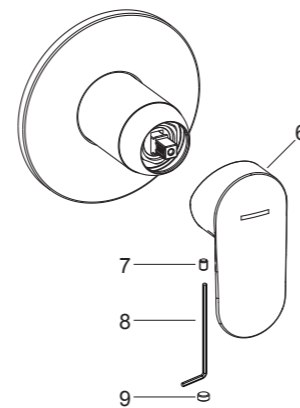
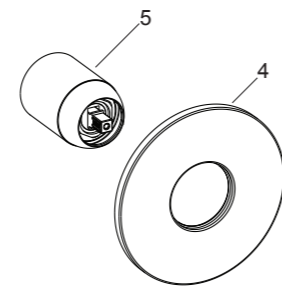
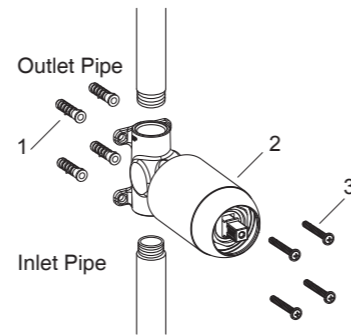
Determine where the valve body will be located on the wall. Make a suitable hole in the wall.

Install the anchors(1). Be sure the "UP" marking on the valve body(2) is facing upward. Wrap the threads on the inlet and outlet with tape at least 4 layers.

During installation keep valve guard on valve body. Connect outlet pipe and inlet pipe to valve body. Tighten screws(3) to secure the valve body.

Remove the valve guard. Assemble escutcheon(4) onto the valve(5) and position in correct orientation against the wall. Remove gasket film by pulling the tab.

Install the handle(6). Tighten the setscrew(7) with hex wrench(8). Press plug button(9) to the hole.



INSTALLATION CHECKOUT

Ensure that all connections are tightened and the handle is in the off position.

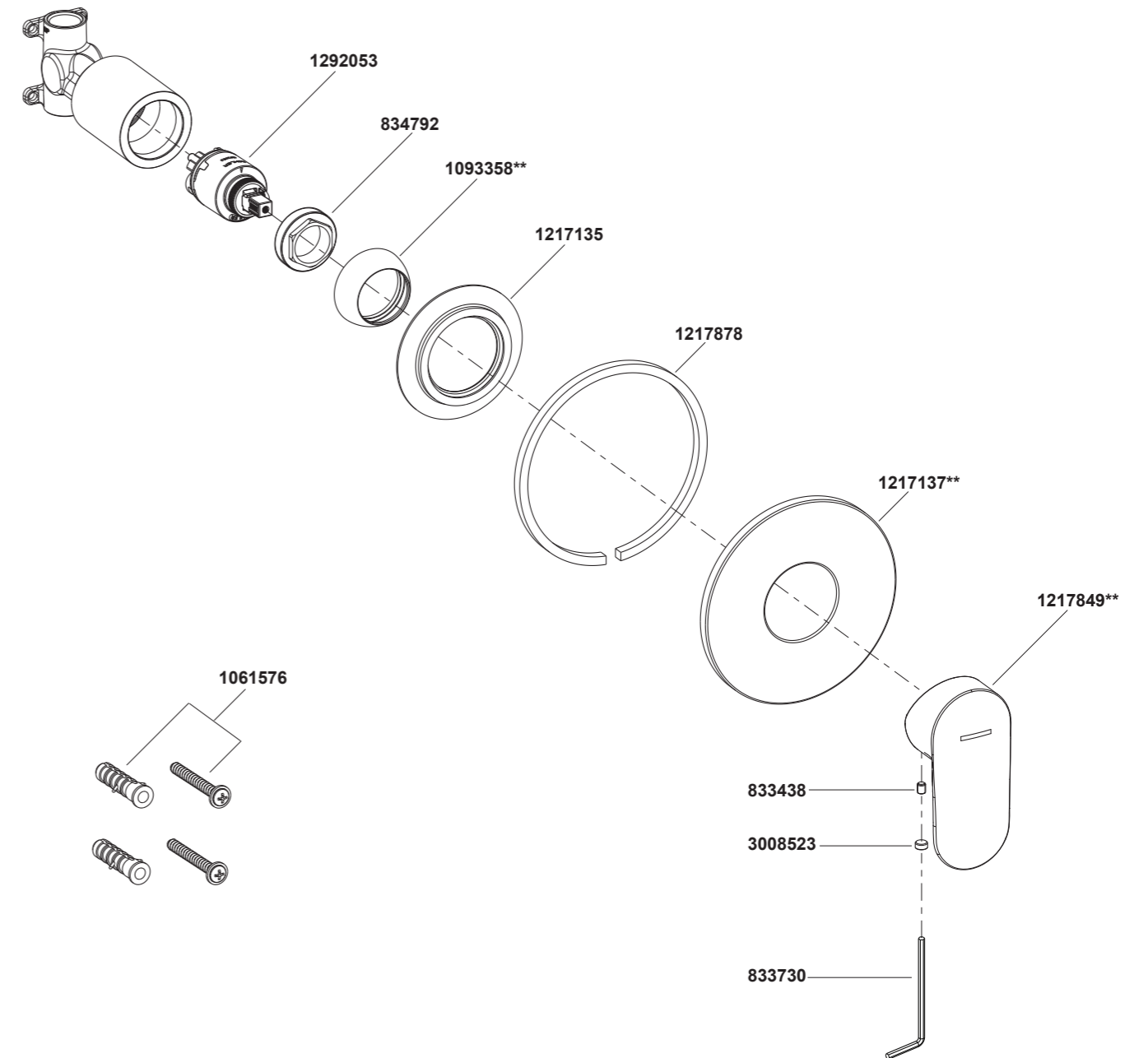
Turn on main water supply and check for leaks. Repair as required.

CLEANING INSTRUCTIONS

All Finishes: Clean the finish with mild soap and warm water. Wipe entire surface completely dry with clean soft cloth. Many cleaners may contain chemicals, such as ammonia, chlorine, toilet cleaner etc, which could adversely affect the finish and are not recommended for cleaning.

Do not use abrasive cleaners or solvents on Kohler faucets and fittings.

99979T-4CD Recessed Shower Valve-Cold Water Only



**Color code must be specified when ordering.

NOTE: For all Asia pacific regions (excluding China) add SP (SPxxxxxx**) in front of the part number when ordering.