

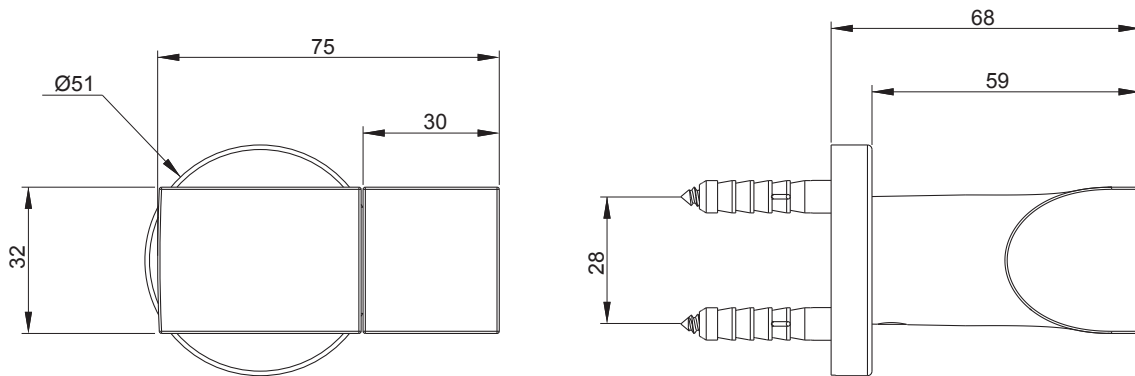
98349T Fixed Wall Mount Bracket

BEFORE YOU BEGIN

All information is based on the latest product information available at the time of publication. Kohler Co. reserves the right to make changes in product characteristics, packaging, or availability at any time without notice.

Please leave these instructions for the consumer. They contain important information.

ROUGH-IN DIMENSIONS



98349T

INSTALLATION

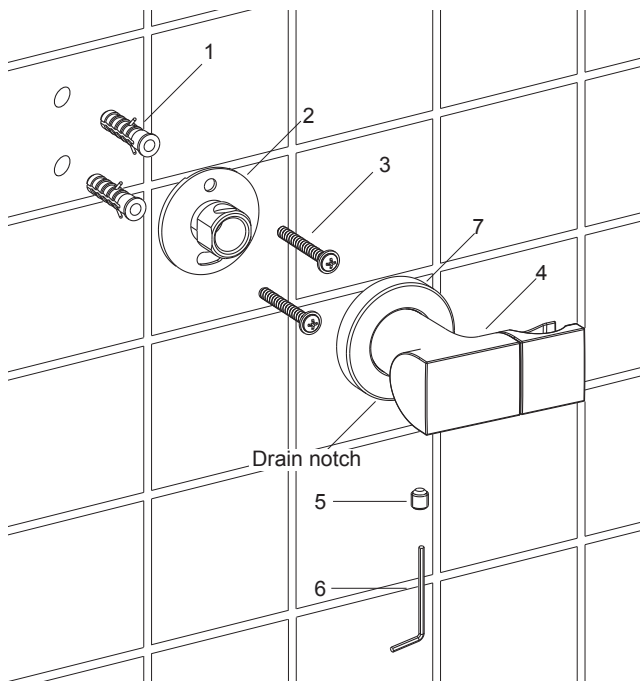
How to Install the Bracket

Determine a suitable location on the finished wall to install the bracket, make sure it should avoid buried cables and pipes in the wall.

Mark bracket base(2) mounting holes locations on the wall according to the dimension. Drill two holes in the finished wall, the holes should match the anchors(1) and be vertically. Install the anchors. Tighten screws(3) to fix bracket base on the finished wall. **NOTE:** The bracket base direction as shown.

Loosen the screw(5) in the bottom of the bracket(4) with the hex wrench(6), make the bracket can be installed. Slide the escutcheon(7) onto the bracket. Apply a ring of plumber putty or other sealants around the underside of the escutcheon. Move the bracket onto the bracket base until against the finished wall and confirm the drain notch and the screw hole are pointed down. Tighten them by screw and hex wrench.

Remove any excess putty or sealant.

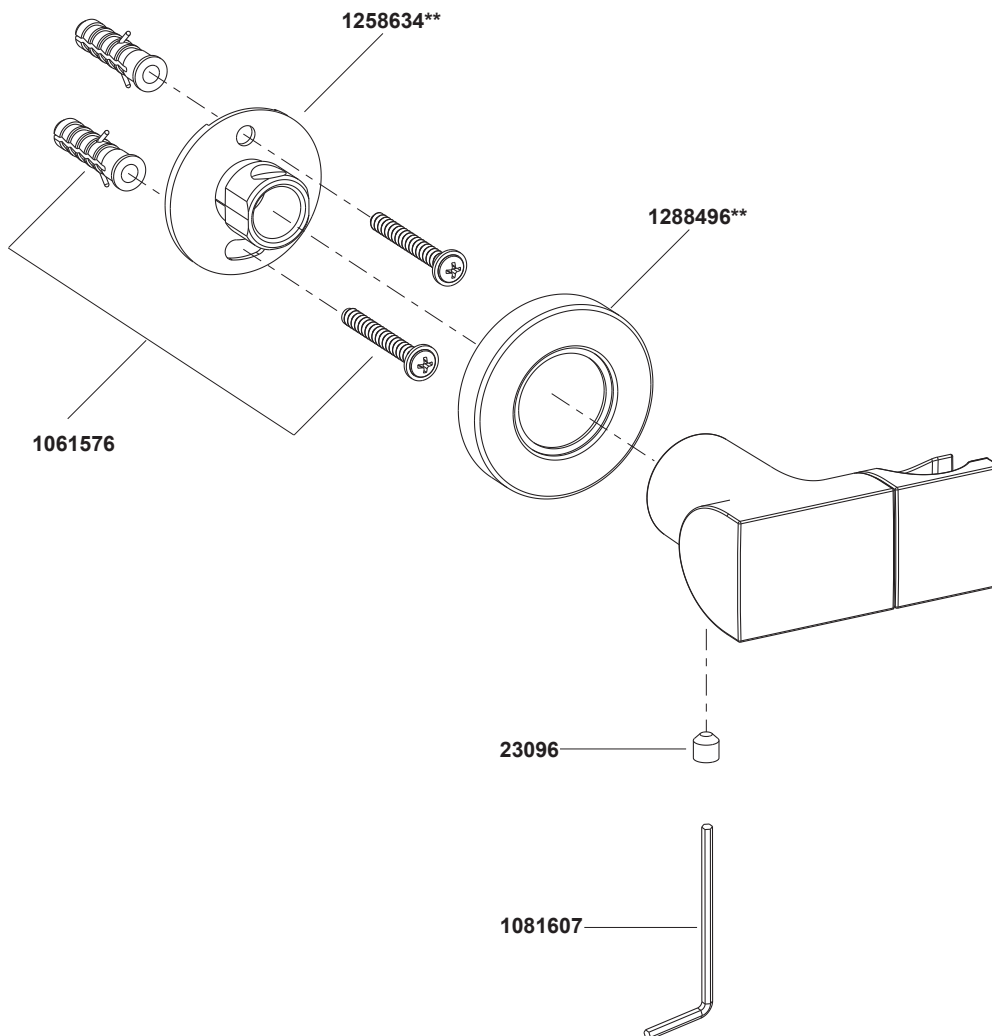


CLEANING INSTRUCTIONS

All Finishes: Clean the finish with mild soap and warm water. Wipe entire surface completely dry with clean soft cloth. Many cleaners may contain chemicals, such as ammonia, chlorine, toilet cleaner etc, which could adversely affect the finish and are not recommended for cleaning.

Do not use abrasive cleaners or solvents on Kohler faucets and fittings.

SERVICE PARTS



**Color code must be specified when ordering