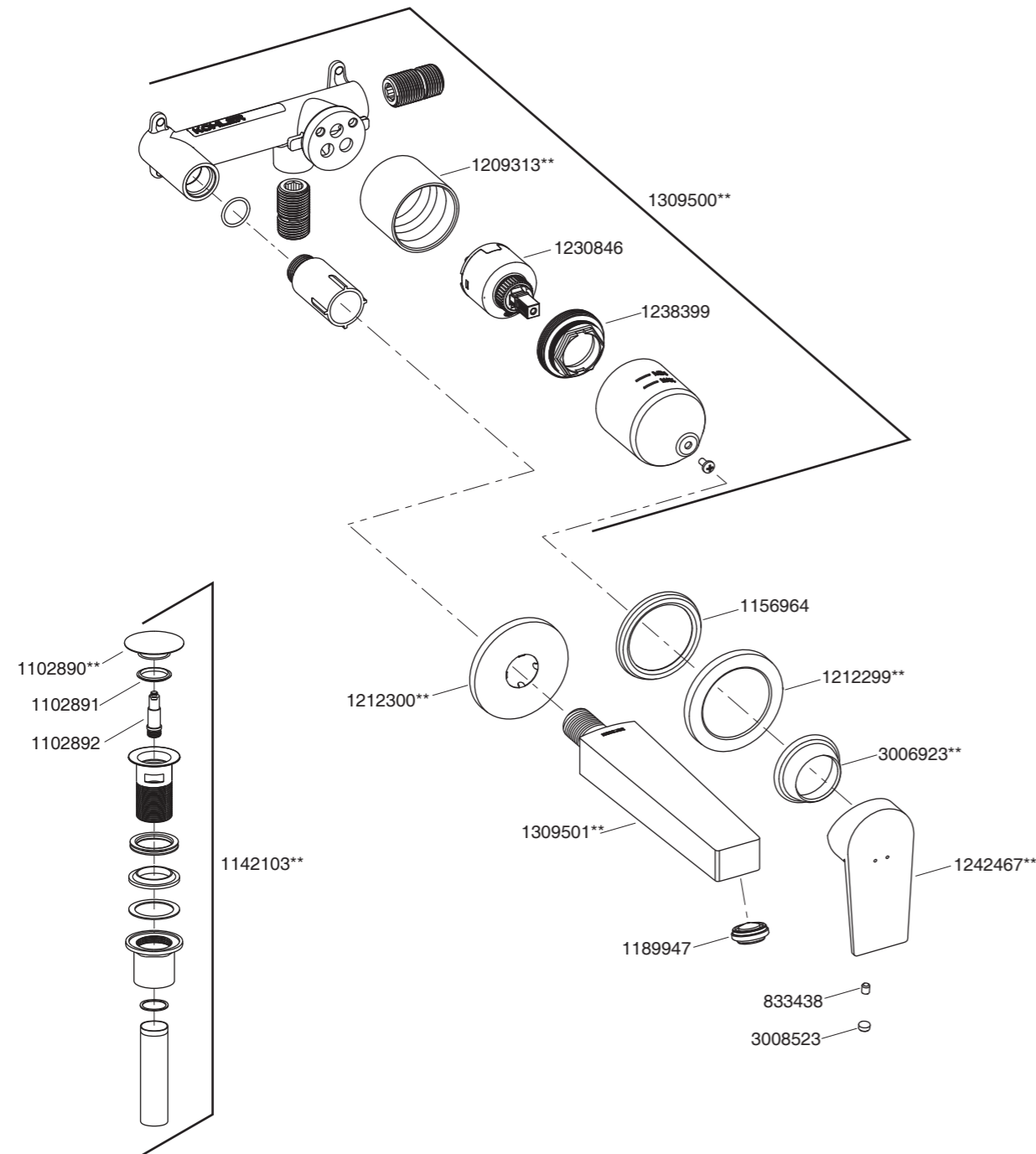


74027X-4 Wall-Mount Lavatory Faucet



**Color code must be specified when ordering.

NOTE: For all Asia pacific regions (excluding China) add SP (SPxxxxxx**) in front of the part number when ordering.

74027X-4 Wall-Mount Lavatory Faucet

BEFORE YOU BEGIN

All information is based on the latest product information available at the time of publication. Kohler Co. reserves the right to make changes in product characteristics, packaging, or availability at any time without notice.

Please leave these instructions with the customer. They contain important information.

NOTE:

1. Flush the water supply pipes thoroughly to remove debris.
2. An in line screen filter must be used with this product.
3. Inspect the supply tubing for damage. Replace as necessary.
4. Observe local plumbing codes.
5. Check for leaks before covering the pipes, repair as needed.
6. Recommended working pressure: 1 to 5 bars.
7. Maximum working pressure: 8 bars.
8. Inlet thread of spout body is G $\frac{1}{2}$ ".

HANDLE OPERATION

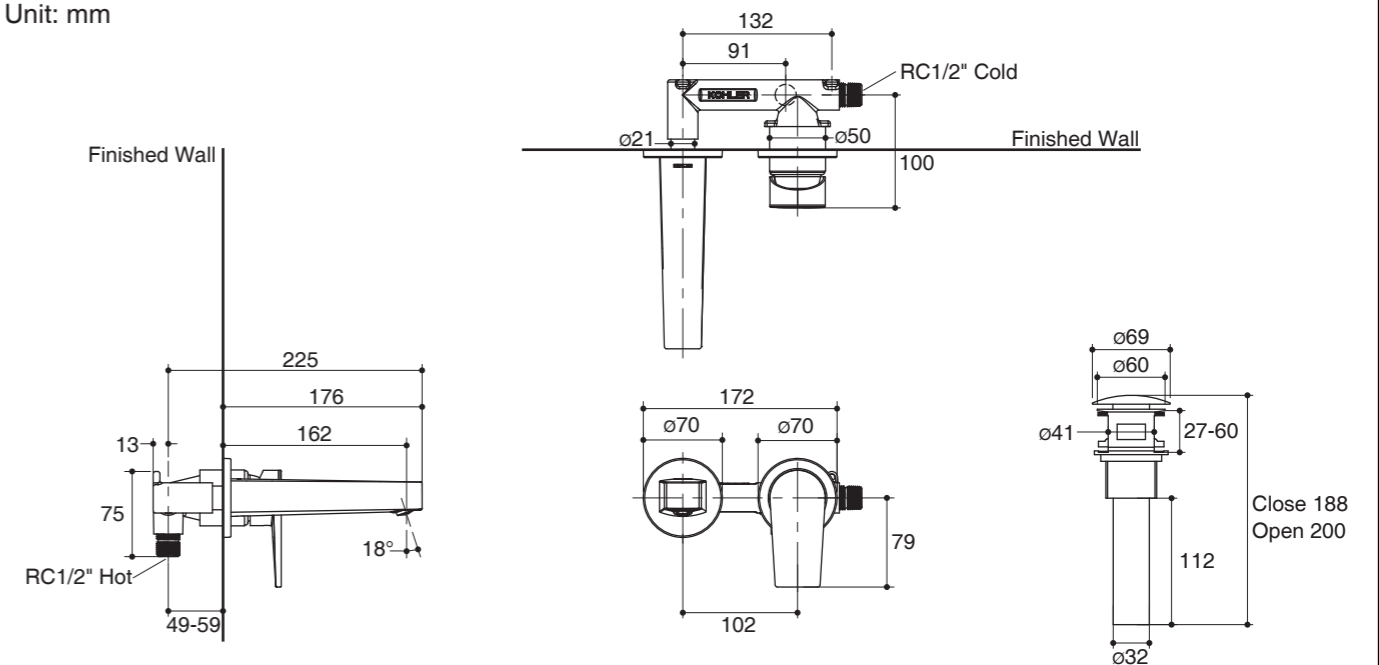
Lift the handle gently, turn left for hot water, right for cold water.

STANDARD APPLICABLE

Special model meets or exceeds the following at date of manufacture: TIS

ROUGH-IN DIMENSIONS

Dimensions are approximate.
Unit: mm



Note: The recommended dimension for installation can be adjusted according to user preferences and layout.

INSTALLATION

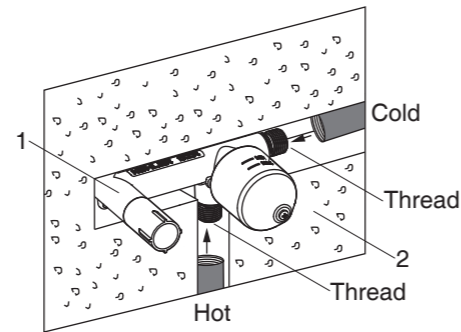
How To Install The Valve Body

Determine where the valve body (1) will be located on the wall. Make suitable recess in the wall to accommodate the valve. Plumb in the supply pipes accordingly. Be sure the protectors (2) face front and the inlet of the valve body with "C" mark is on the right.

NOTE: Ensure the valve body is perfectly parallel to the ground.

Apply tape or thread sealant to both cold and hot inlet thread. Then connect Rc1/2" supplies tube to the inlets of the valve body. Connect cold supply to the right. Connect hot supply to the other inlet.

The finished wall should be between the MAX and MIN marks on the protectors (2). During installation, the protectors should remain on the valve body.



How To Install The Handle and Spout

Remove the protectors after the wall is finished. The holes cut in the finished wall should be very close to the protector size.

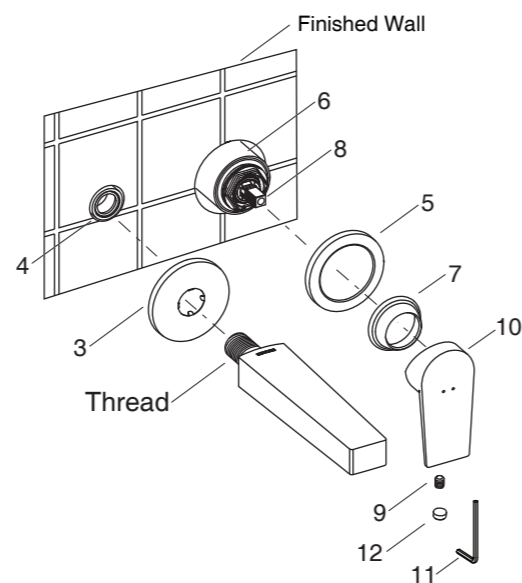
Slide the escutcheon (3) on the spout thread. Cut the extra length of threaded part if required so that the escutcheon flushes with the finished wall when tightened to the valve outlet (4).

Apply tape or thread sealant to the spout thread. Then tighten the spout to the valve outlet (4) in the wall so that the aerator is facing downwards.

Slide the handle escutcheon (5) on the cartridge (6) flushed to finished wall. Thread the bonnet (7) to the cartridge (6).

Close the cartridge stem (8) and loosen the screw (9) on the handle (10) with 2 mm hex wrench (11).

Install the handle onto the valve body. Tighten the screw (9) to secure the handle (10). Press the plug button (12) into the hole.



How to Install The Drain

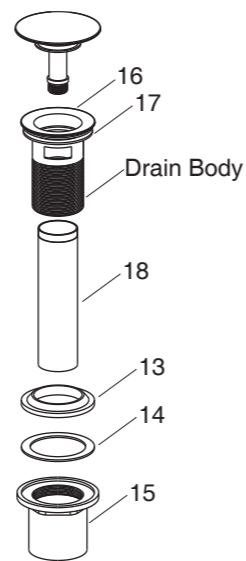
Remove the locknut (15), plastic washer (14) and the rubber gasket (13) and tailpiece (18) from the drain body.

Supply enough tape or sealant to tailpiece thread. Reinstall the tailpiece.

Insert the drain body into the lavatory. Install the rubber gasket (Tapered side up), plastic washer and locknut back to the drain body in turn. Tighten the locknut.

NOTE: If needed, apply a ring of plumbers putty or other sealants around the underside of the drain flange (16), instead of using rubber washer (17).

Do not reposition the drain after the locknut is tightened, or you may break the putty or sealant seal. Remove any excess putty.



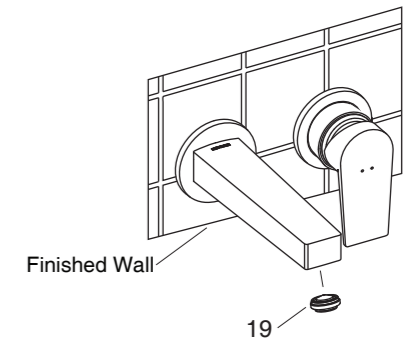
INSTALLATION CHECKOUT

The illustration shown is the correct position of the spout and handle when the installation is complete.

Turn on the main water supply and drain, and check for leaks. Repair as needed.

Remove the aerator (19). Run hot and cold water through faucet for about one minute to remove any debris.

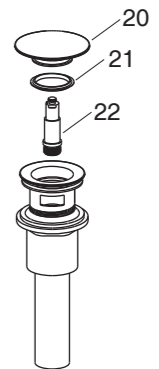
Remove any debris from the aerator (19). Shut off the faucet. Reinstall the aerator.



How To Replace the Washer and Piston Kit

Turn counter clockwise to remove the stopper (20). Take out washer (21). Replace with a new one.

Turn counter clockwise to remove the piston kit (22). Replace with a new one. Reinstall stopper and washer.



CARE AND CLEANING

All Finishes: Clean the finish with mild soap and warm water. Wipe entire surface completely dry with clean soft cloth. Many cleaners may contain chemicals, such as ammonia, chlorine, toilet cleaner etc, which could adversely affect the finish and are not recommended for cleaning.

Do not use abrasive cleaners or solvents on Kohler faucets and fittings.