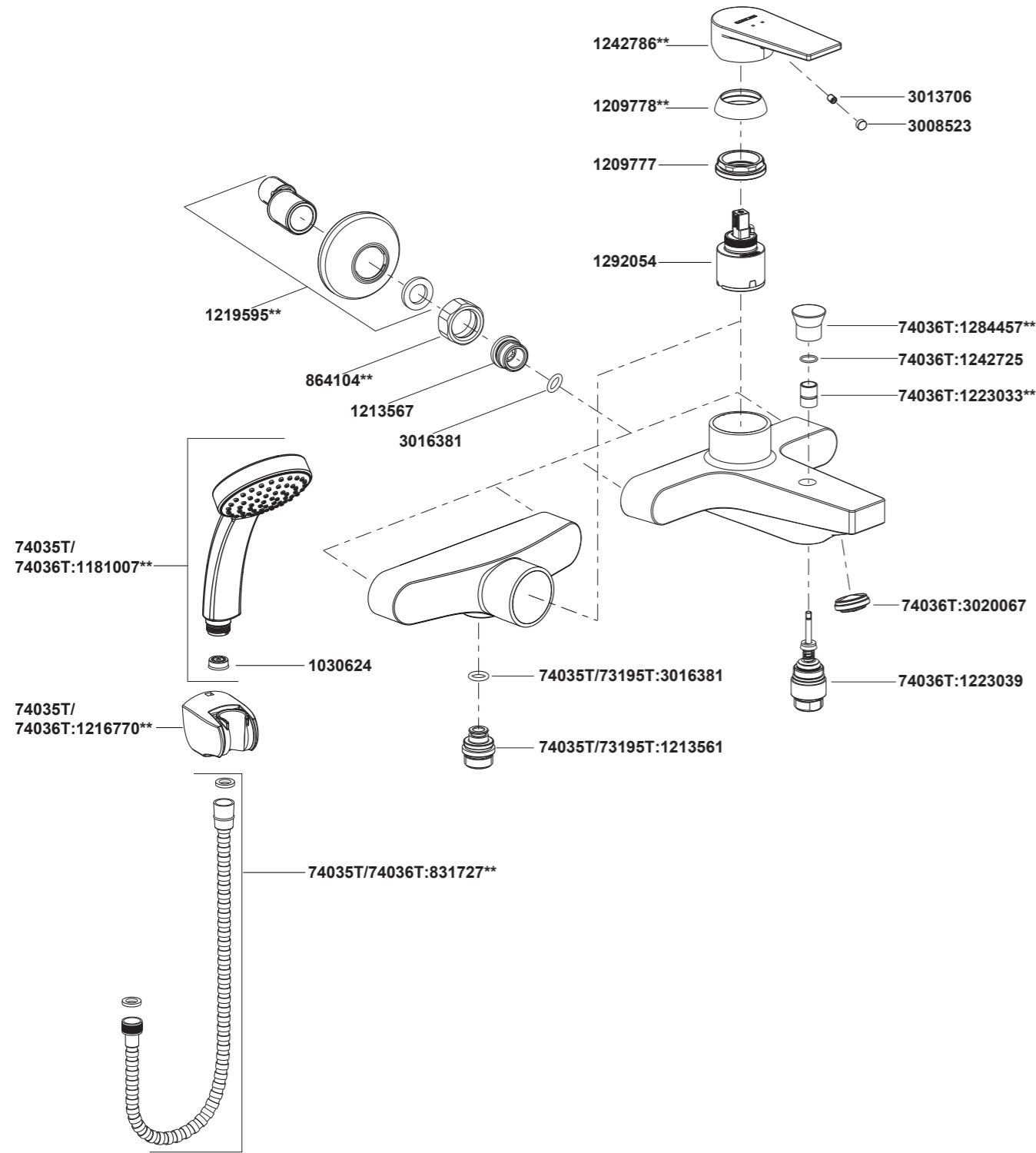


- 74036T-4 Wall Mount Bath Shower Faucet
- 74035T-4 Wall Mount Shower Faucet
- 73195T-4 Wall Mount Shower Faucet Without Handshower



\*\*Color code must be specified when ordering.  
NOTE: For all Asia pacific regions (excluding China) add SP (SPxxxxxx\*\*) in front of the part number when ordering.

- 74036T-4 Wall Mount Bath Shower Faucet
- 74035T-4 Wall Mount Shower Faucet
- 73195T-4 Wall Mount Shower Faucet Without Handshower

**BEFORE YOU BEGIN**

All information is based on the latest product information available at the time of publication. Kohler Co. reserves the right to make changes in product characteristics, packaging, or availability at any time without notice. Please leave these instructions for the consumer. They contain important information.

**NOTES:**

1. Flush the water supply pipes thoroughly to remove debris.
2. Inspect the supply tubing for damage and leakage. Replace and maintain as necessary.
3. Observe local plumbing codes.
4. The minimum inlet water pressure for the diverter is 0.05MPa(0.5bar).
5. The highest working pressure for handspray is 0.5MPa(5 bar). If it exceeds 0.5MPa(5 bar), a pressure reducer is needed. The highest water and environment temperature is 60°C. Please keep handspray, showerhead and the shower arm away from heater, or it may become damaged and cause injury to the user.

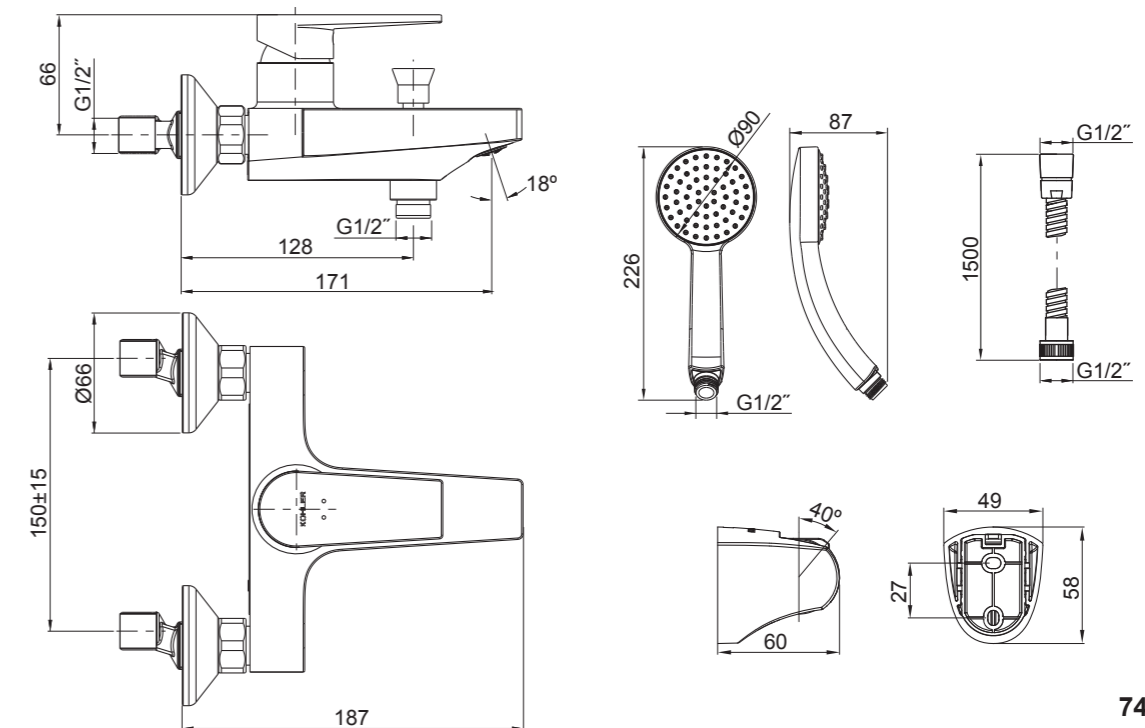
**HANDLE OPERATION**

Lift handle gently. Turn clockwise for hot water, turn counter-clockwise for cold water. Water flows out from spout when faucet diverter is in the normal position; lift the diverter gently, turn clockwise for handspray; shut off the faucet, turn counter-clockwise until it stops.

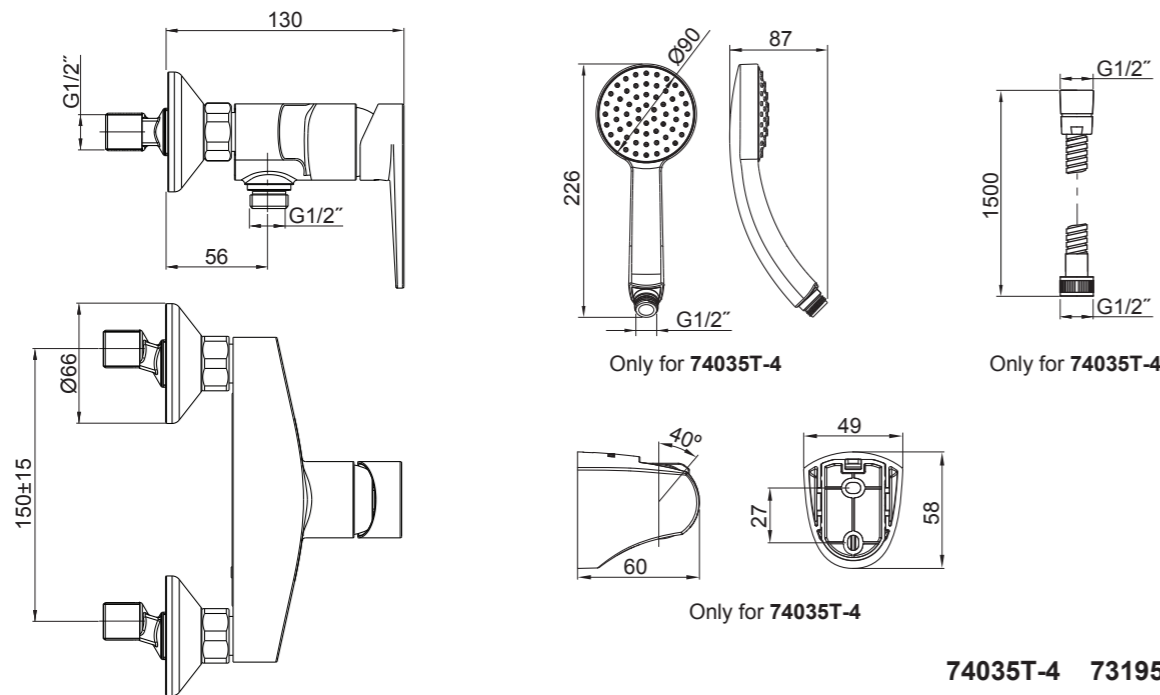
**STANDARD APPLICABLE**

Special model meets or exceeds the following at date of manufacture: TIS

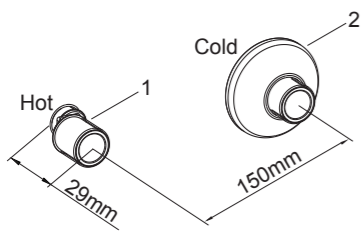
**ROUGH-IN DIMENSIONS**



74036T-4



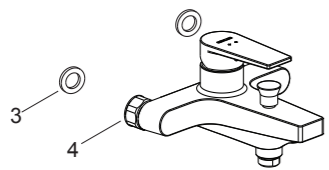
## INSTALLATION



### How to Install the Faucet

Use appropriate thread sealants or thread tape on pipe threads. Install the two offset connectors(1) into the hot and cold supply pipes.

Adjust the center-to-center distance between the connectors to 150mm and horizontally. They should extend 29mm from finished wall. Thread the escutcheons(2) onto the connectors until they contact the finished wall.

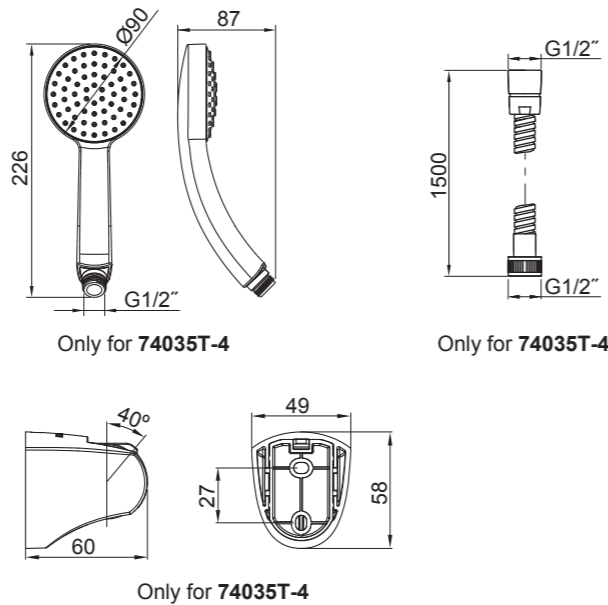
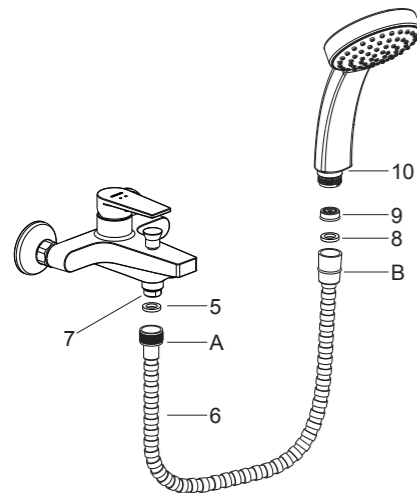


Put the washers(3) into the nuts(4). Thread the nuts onto the connectors(1) and tighten by wrench.

### How to Install the Handshower

Remove the guard on the outlet connector firstly.

Put the washer(5) into end A of the hose(6), and then connect to the faucet outlet(7). Put the washer(8) into end B of the hose, and install the regulator(9) into the handshower(10) inlet if needed, then connect end B of the hose to the handshower inlet.

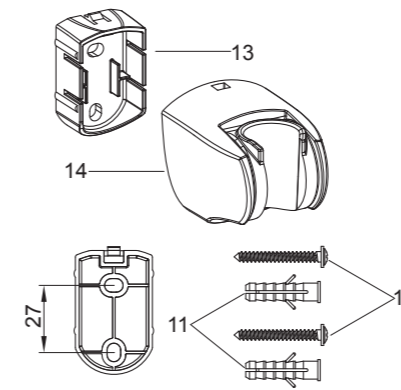


74035T-4 73195T-4

### How to Install the Bracket

Determine a suitable location on the finished wall to install the bracket. Mark bracket base mounting hole locations on the wall according to the dimension. Drill two holes on the finished wall, the holes should match the anchors(11). Install the anchors.

Tighten screws(12) to secure bracket base(13, flat side upward). Put the bracket(14) onto the bracket base and lock by stopper.



## INSTALLATION CHECKOUT

Ensure that all coupling nuts tightened.

Ensure that the handle is in the off position.

Turn on the main water supply, and check for leaks. Repair as needed.

### 74036T-4: Wall Mount Bath Shower Faucet

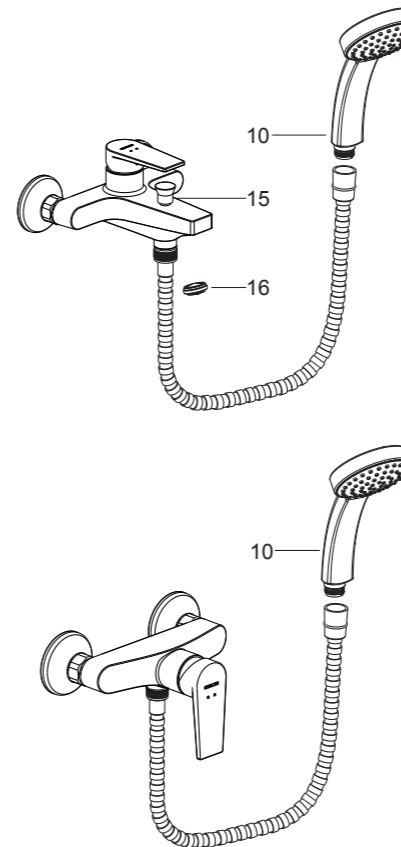
Remove the handshower(10), remove the aerator(16) by coin. Run hot and cold water through the faucet for about one minute to remove any debris. Check for leaks. Remove any debris from the aerator.

Lift the diverter(15) gently, turn clockwise for shower. Run hot and cold water through the faucet for about one minute to remove any debris. Check for leaks. Shut off the faucet, reinstall the handshower and aerator .

### 74035T-4/73195T-4: Wall Mount Shower Faucet

For 74035T-4, remove the handshower(10).

Run hot and cold water through the faucet for about one minute to remove any debris. Check for leaks. Shut off the faucet. For 74035T-4, reinstall the handshower.



## CLEANING INSTRUCTIONS

All Finishes: Clean the finish with mild soap and warm water. Wipe entire surface completely dry with clean soft cloth. Many cleaners may contain chemicals, such as ammonia, chlorine, toilet cleaner etc, which could adversely affect the finish and are not recommended for cleaning.

Do not use abrasive cleaners or solvents on Kohler faucets and fittings.