

INSTALLATION INSTRUCTIONS

15396T 15" Wall Mount Shower Arm

BEFORE YOU BEGIN

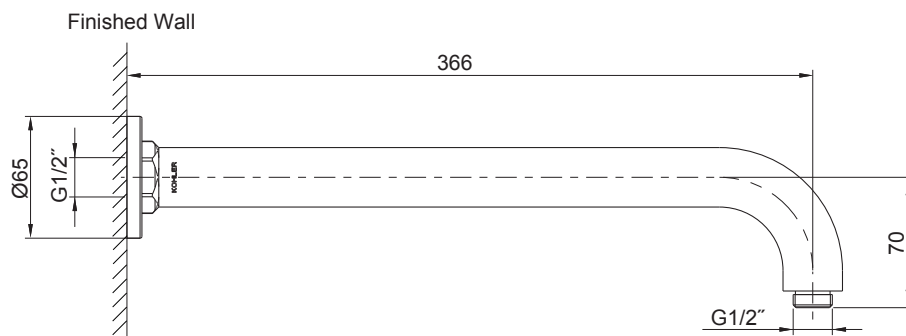
All information is based on the latest product information available at the time of publication. Kohler Co. reserves the right to make changes in product characteristics, packaging, or availability at any time without notice.

Please leave these instructions for the consumer. They contain important information.

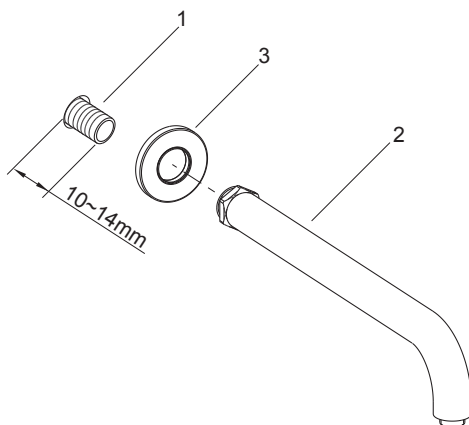
NOTES:

1. Shut off the water supplies to the fitting.
2. Observe all local plumbing and building codes.

ROUGH-IN DIMENSIONS



INSTALLATION



Flush both water supplies through the shower arm for about one minute to remove debris.

Install the G1/2" nipple(1, not provided) to the pipe so it extends 10~14mm beyond the finished wall.

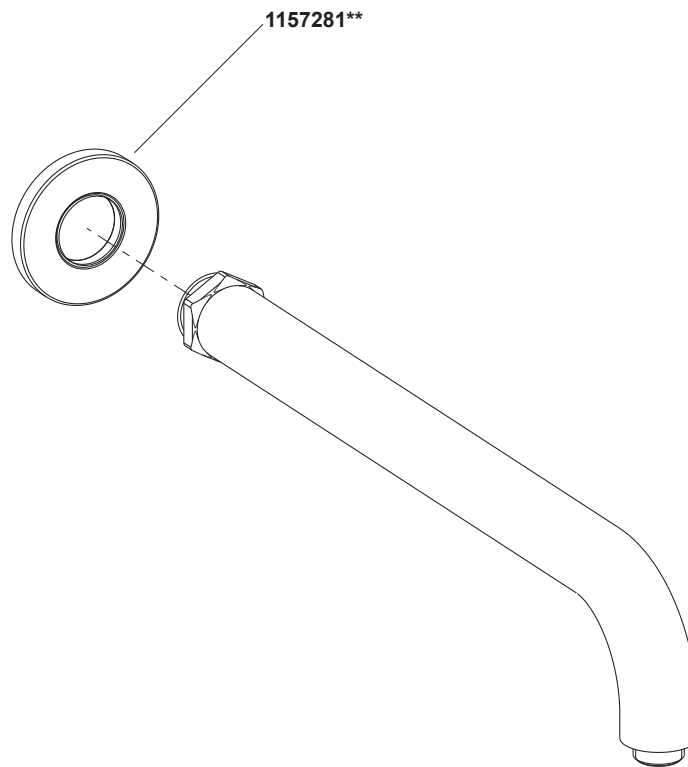
Apply a ring of plumbers putty around the back surface of the escutcheon(3). Apply tape or thread sealant to the nipple threads, and install the shower arm(2), tighten with a strap wrench. Adjust the escutcheon and make sure it against the wall. Remove any excess putty.

CLEANING INSTRUCTIONS

All Finishes: Clean the finish with mild soap and warm water. Wipe entire surface completely dry with clean soft cloth. Many cleaners may contain chemicals, such as ammonia, chlorine, toilet cleaner etc. which could adversely affect the finish and are not recommended for cleaning.

Do not use abrasive cleaners or solvents on Kohler faucets and fittings.

SERVICE PARTS



**Color code must be specified when ordering.

NOTE: For all Asia pacific regions (excluding China) add SP (SPxxxxxx**) in front of the part number when ordering.