

### 74096T-4CD Wall-Mount Shower Valve-Cold Water Only

#### BEFORE YOU BEGIN

All information is based on the latest product information available at the time of publication. Kohler Co. reserves the right to make changes in product characteristics, packaging, or availability at any time without notice.

Please leave these instructions with the customer. They contain important information.

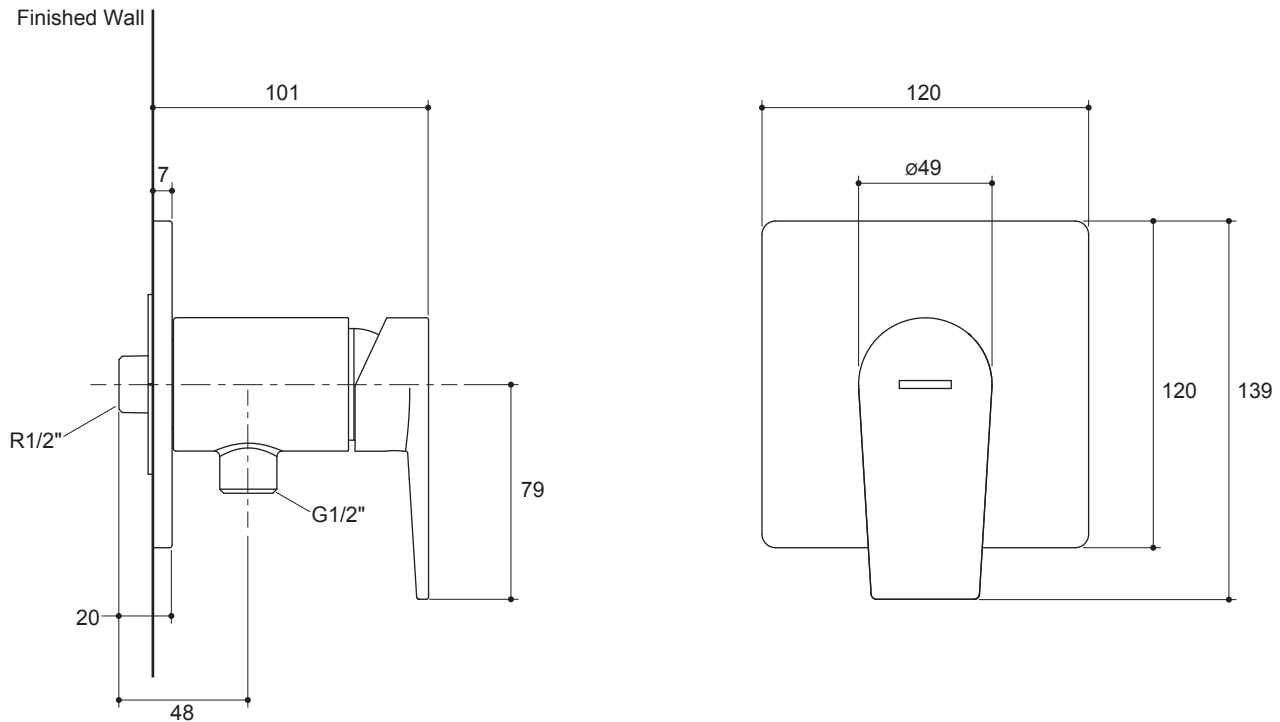
#### NOTES:

1. Flush the water supply pipes thoroughly to remove debris.
2. Inspect the supply tubing for damage and leakage. Replace and maintain as necessary.
3. Observe local plumbing codes.
4. Shut off the water supply to the fitting.
5. Recommended water pressure 1-5 bar.
6. Refer to product specification sheet for flow curve. If flow is less than stated, inspect system for other restrictions such as flow controller, instantaneous hot water heater, clogged supply line, etc.

#### ROUGH-IN DIMENSIONS

\*Dimensions are approximate.

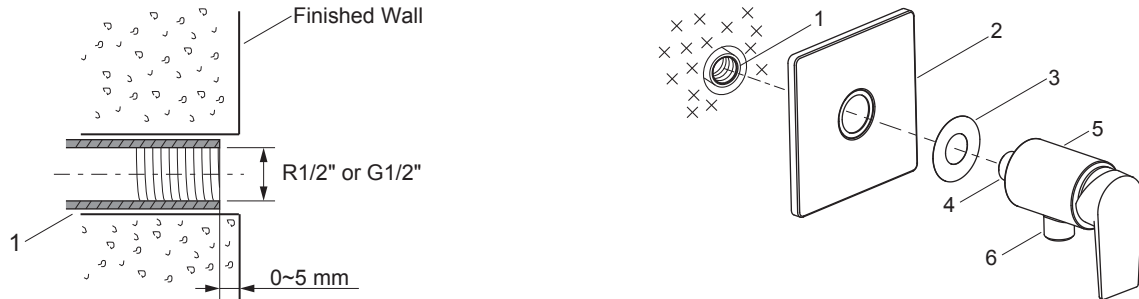
\*Unit: mm



## INSTALLATION

The R1/2" or G1/2" female supply pipe (1) is installed before installing the valve.

Flush the water supply pipe thoroughly for about one minute to remove debris. Apply tape or thread sealant to the threads on the shank (4) of the valve kit (5). Keep the washer (4) on the shank. Slide the escutcheon (2) onto the valve kit. Do not squeeze out the gasket (3). Tighten the valve to the outlet pipe. Adjust and make the outlet (6) faces down. Make sure the escutcheon against the finished wall.



## INSTALLATION CHECKOUT

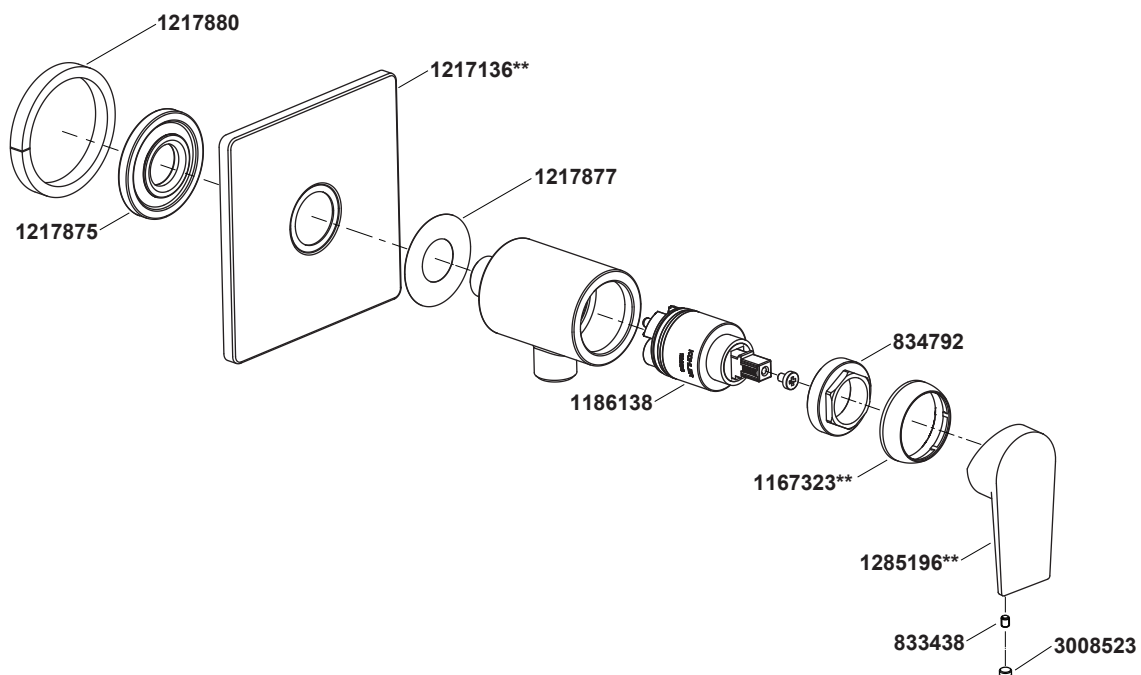
Ensure that all connections are tightened and the handle is in the off position.  
Turn on main water supply and check for leaks. Repair as required.

## CLEANING INSTRUCTIONS

All Finishes: Clean the finish with mild soap and warm water. Wipe entire surface completely dry with clean soft cloth. Many cleaners may contain chemicals, such as ammonia, chlorine, toilet cleaner etc, which could adversely affect the finish and are not recommended for cleaning.

Do not use abrasive cleaners or solvents on Kohler faucets and fittings.

## SERVICE PARTS



\*\*Color code must be specified when ordering.

\*\*For all Asia Pacific regions (excluding China) add SP in front of code number to SPxxxxxxx\*\* when ordering.