

INSTALLATION

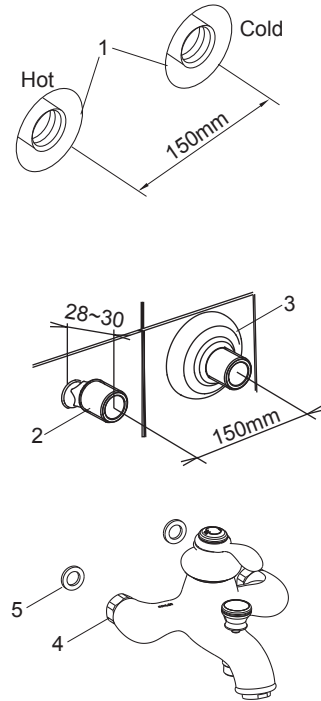
How to Install the Faucet

To perform installation, installer must provide G1/2" female supply fittings, spaced 150mm apart and horizontally. The supply fittings should be vertical and not beyond the finished wall. Hot supply pipe must be located on the left.

Use appropriate thread sealants or thread tape on pipe threads. Install the two offset connectors(2) into the hot and cold supply pipes.

Adjust the center-to-center distance between the connectors to 150mm and horizontally. They should extend 28 to 30mm beyond the finished wall. Thread the escutcheons(3) onto the connectors until they are against the finished wall.

Put the washers(5) into the nuts(4), thread the nuts to connectors. When tightening the nuts, use strap wrench or soft cloth between product and regular wrench to protect the finish.



How to Install the Shower Column

Select a location in vertical wall to install shower column according to rough-in dimensions.

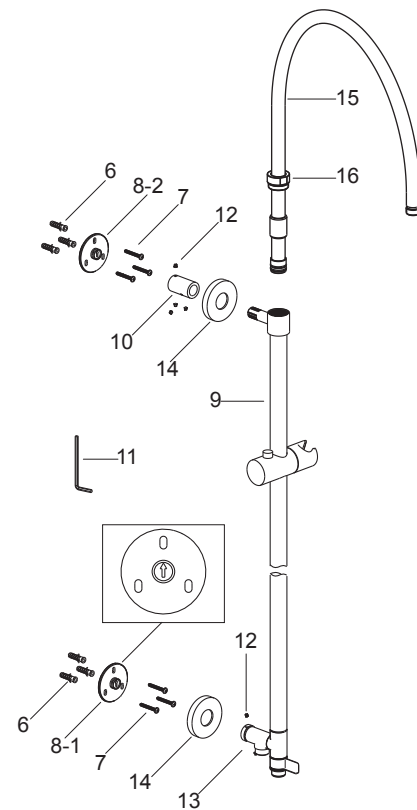
Drill the lower hole as anchors(6) diameter and lower base(8-1) position in the finished wall (**NOTE:** The arrow in the base is upward). Press anchors into the hole, secure the base by the screw(7).

Rehearse the slide bar kit(9) installation for the upper base(8-2) mounting location determination. Slide the tube joint(10) onto the slide bar kit, and connect them to the base (**NOTE:** The arrow in the base is upward). Install the screws(12) into the tube joint with the hex wrench(11), and tighten them.

Place the slide bar and the body against the finished wall. Connect the lower base and the diverter body kit(13). Position and tighten them by hex wrench. Mark the hole of upper base(8-2) with a pencil. Uninstall the slide bar kit and tube joint. (**NOTE:** Don't lose the screws.)

Drill holes on the mark. Press the anchors into the holes. Secure the upper base(8-2) by the screws. Install the tube joint(10) to the base(8-2) and tighten them by screws. Reinstall the slide bar kit with escutcheons(14) to the bases. Tighten the screws with the hex wrench. Screw the escutcheons with the bases until against the finished wall.

Install the tube kit(15) into the slide bar kit. Install the nut(16) onto the tube kit with soft cloth between internal hole of the nut and the tube kit. Then screw the nut onto the slide bar kit with strap wrench or soft cloth between the nut and regular wrench.

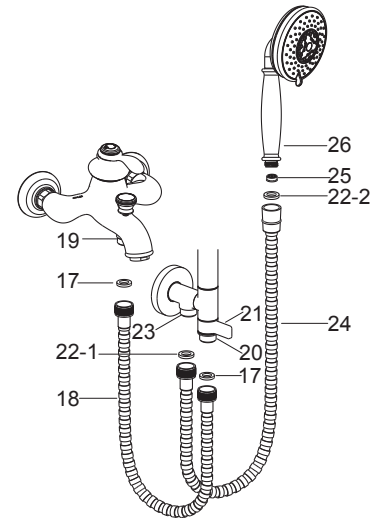


How to Install the Handspray and Hose

Tighten 500mm length hose(18) to the outlet(19) and the connector(20) with two washers(17).

Turn the diverter handle(21), run hot and cold water for about one minute to remove any debris.

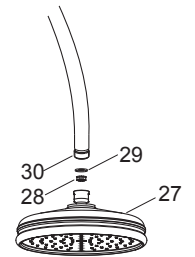
Tighten 1500mm length hose(24) to the connector(23) with filter washer (22-1). Put the regulator(25) into the handspray(26) inlet if needed. Tighten the hose to the handspray with the washer(22-2, thickness 5mm).



How to Install the Showerhead

Turn the diverter handle to showerhead(27) work, run hot and cold water for about one minute to remove any debris before the showerhead is installed.

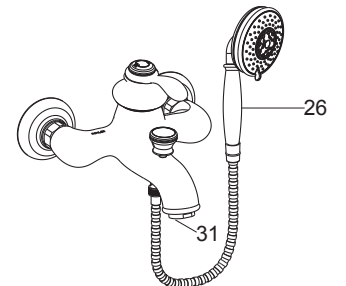
Before installation, put the regulator(28) into the showerhead inlet if needed. Take out the washer(29) and install the regulator as shown, reinstall the washer. Tighten the showerhead onto the tube kit outlet(30) with strap wrench.



INSTALLATION CHECKOUT

Ensure that all connections are tight. Ensure that the handle is in the off position. Turn on the drain and main water supply, and check for leaks. Repair as needed.

Remove the handspray(26) and the aerator(31). Run hot and cold water through the faucet for about one minute to remove any debris. Check for leaks. Remove any debris from the aerator assembly. Shut the faucet off, and reinstall the aerator assembly and handspray.



CLEANING INSTRUCTIONS

All Finishes: Clean the finish with mild soap and warm water. Wipe entire surface completely dry with clean soft cloth. Many cleaners may contain chemicals, such as ammonia, chlorine, toilet cleaner etc. which could adversely affect the finish and are not recommended for cleaning.

Do not use abrasive cleaners or solvents on Kohler faucets and fittings.