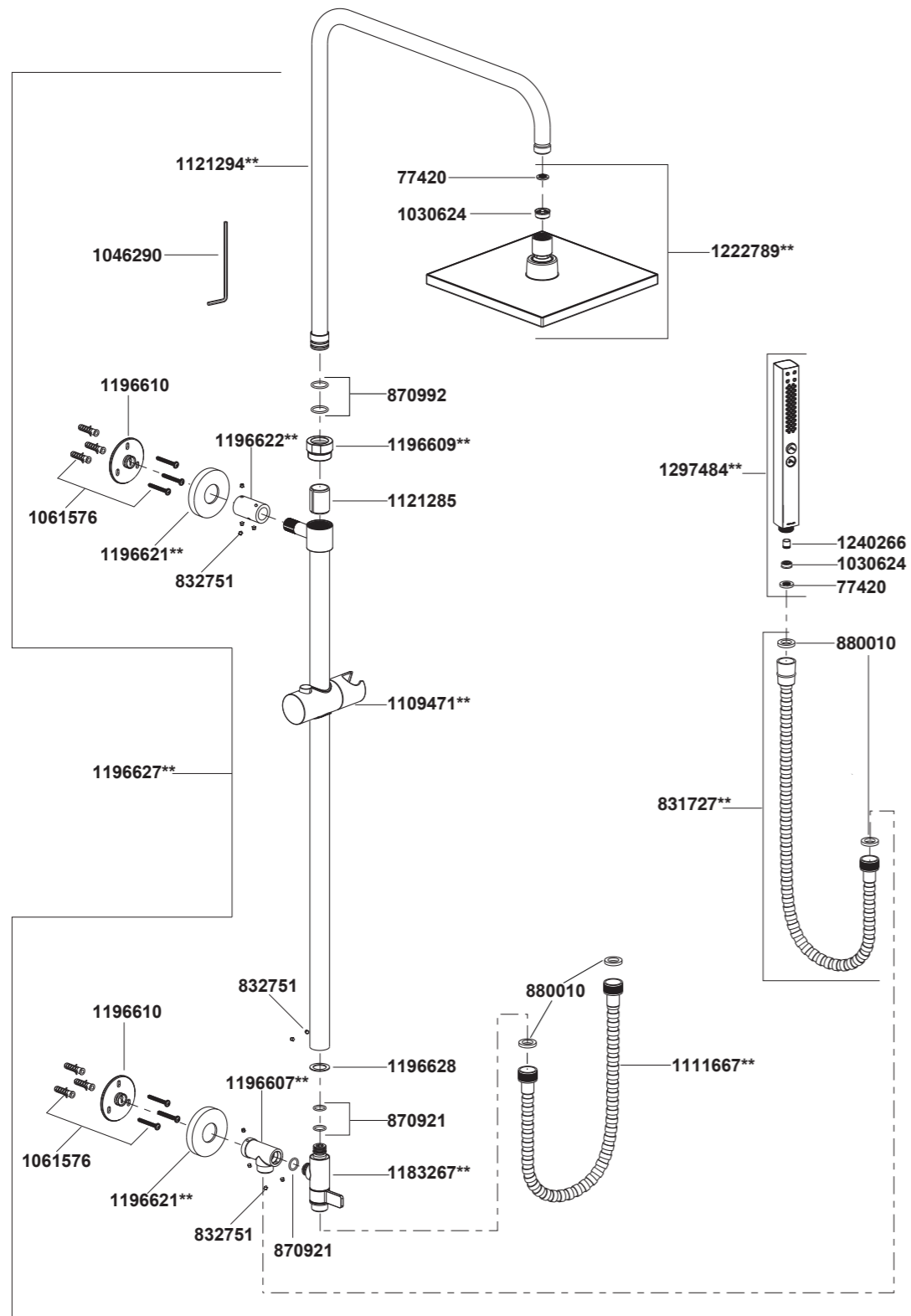


76633T-B Angular Column With Square Head & Hand Shower



**Color code must be specified when ordering.

NOTE: For all Asia pacific regions (excluding China) add SP (SPxxxxxx**) in front of the part number when ordering.

76633T-B Angular Column With Square Head & Hand Shower

BEFORE YOU BEGIN

All information is based on the latest product information available at the time of publication. Kohler Co. reserves the right to make changes in product characteristics, packaging, or availability at any time without notice. Please leave these instructions for the consumer. They contain important information.

NOTES:

1. Shut off the water supplies to the fitting.
2. Inspect the supply tubing for damage. Replace as necessary.
3. Observe local plumbing codes.
4. Recommended minimum working pressure is 0.2MPa(2bar).
5. The highest working pressure for hand shower & showerhead is 0.5MPa(5bar). If it exceeds 0.5MPa(5bar), a pressure reducer is needed. The highest water and environment temperature is 60°C. Please keep hand shower, showerhead and shower arm away from heater, or it may become damaged and cause injury to the user.

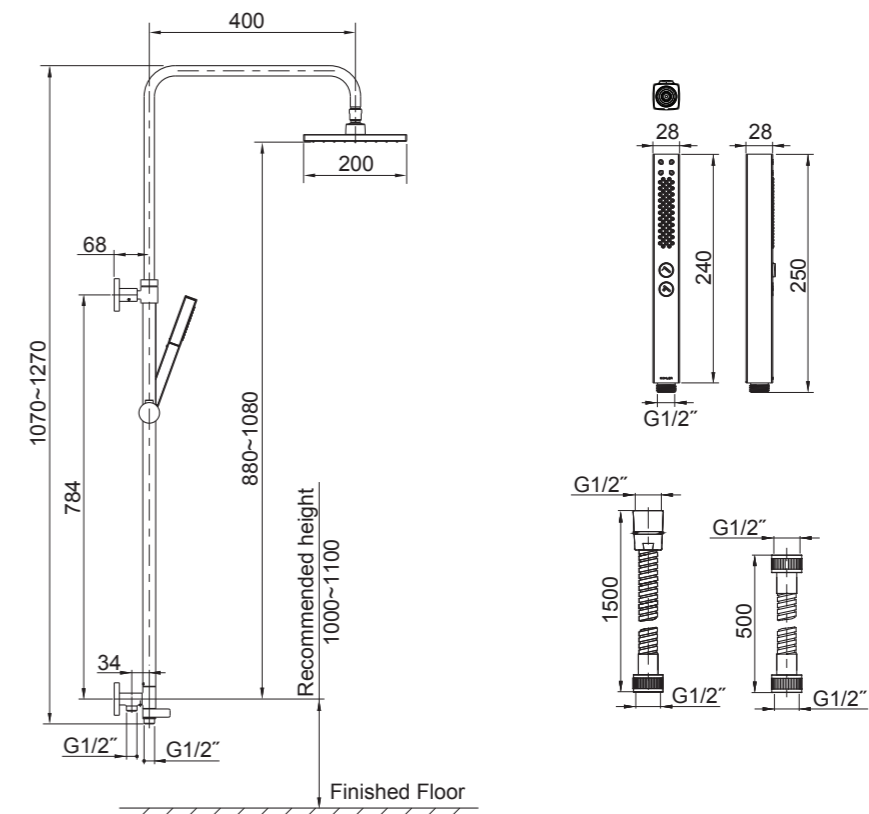
STANDARD APPLICABLE

Special model meets or exceeds the following at date of manufacture: TIS

HANDLE OPERATION

Turn the diverter handle counter-clockwise, the handshower works; turn it clockwise, showerhead works.

ROUGH-IN DIMENSIONS



INSTALLATION

How to Install the Shower Column

Select a location in vertical wall to install shower column according to rough-in dimensions.

Drill the lower hole as anchors(1) diameter and lower base(3-1) position in the finished wall(**NOTE:** The arrow in the base is upward). Press anchors into the hole, secure the base by the screws(2).

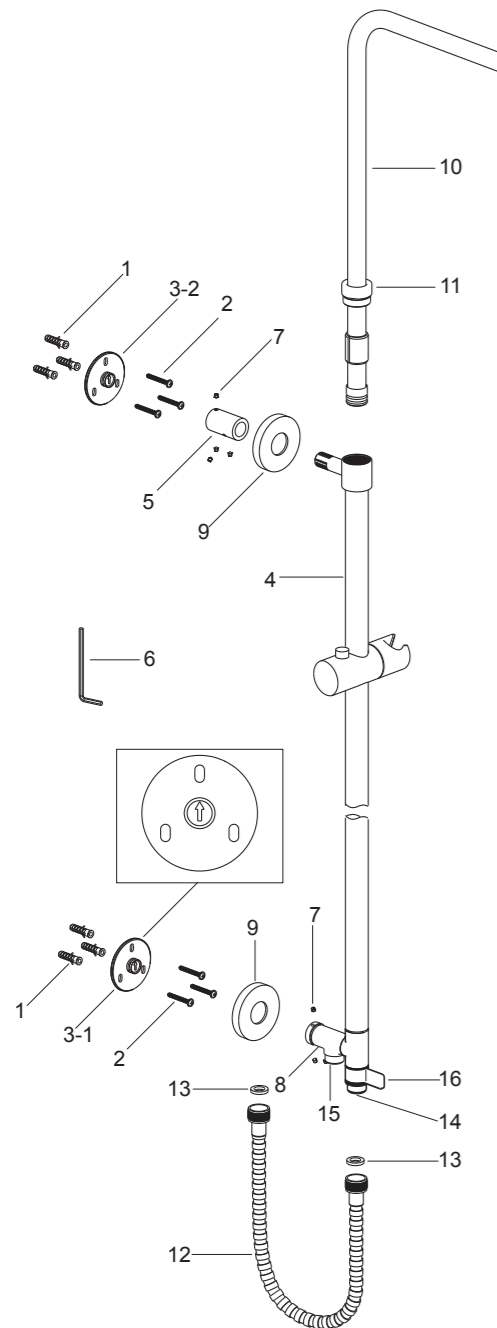
Rehearse the shower column kit(4) installation for the upper base(3-2) mounting location determination. Slide the tube joint(5) onto the shower column kit, and connect them to the base(**NOTE:** The arrow in the base is upward). Install the screws(7) into the tube joint with the hex wrench(6), and tighten them.

Place the shower column and the body against the finished wall. Connect the lower base and the diverter body kit(8). Position and tighten them by hex wrench. Mark the hole of upper base(3-2) with a pencil. Uninstall the shower column kit and tube joint(**NOTE:** Don't lose the screws.)

Drill holes on the mark. Press the anchors into the holes. Secure the upper base(3-2) by the screws. Install the tube joint(5) to the base(3-2) and tighten them by screws. Reinstall the shower column kit with escutcheons (9) to the bases. Tighten the screws with the hex wrench. Screw the escutcheons with the bases until against the finished wall.

Install the tube kit(10) into the shower column kit. Install the nut(11) onto the tube kit with soft cloth between internal hole of the nut and the tube kit. Then screw the nut onto the shower column kit with strap wrench or soft cloth between the nut and regular wrench.

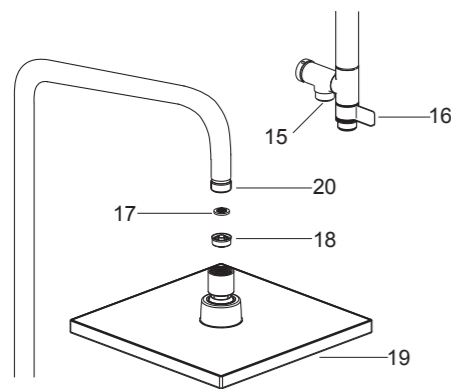
Connect the hose(12) with washers(13) between the mixer water supply and the connector(14). The connector(15) will be used for handshower connection.



How to Install the Showerhead

Ensure the diverter handle(16) is in the position for showerhead(19), run hot and cold water for about one minute to remove any debris before the showerhead is installed.

Take out the washer(17) and install the regulator(18) into the showerhead inlet if needed, then reinstall the washer as shown. Tighten the showerhead onto the tube kit outlet(20) with strap wrench.

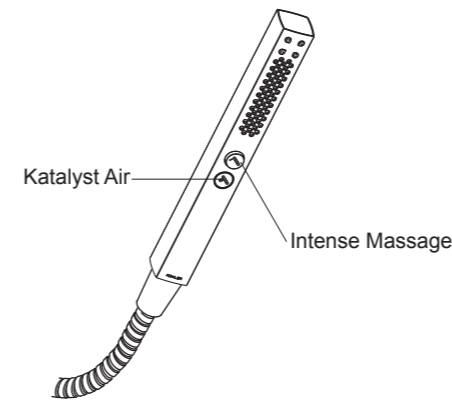
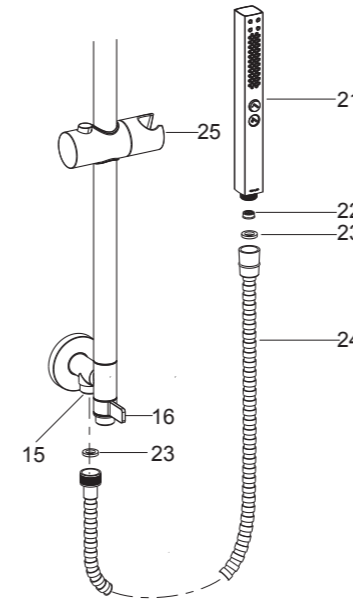


How to Install the Hand Shower

Ensure the diverter handle(16) is in the position for hand shower(21), run hot and cold water for about one minute to remove any debris before the hand shower is installed.

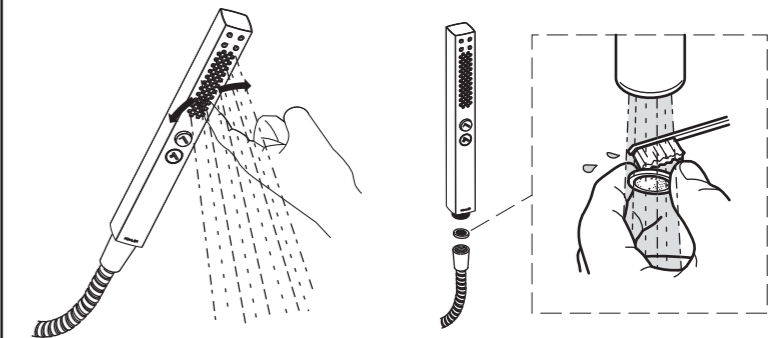
Install regulator(22) into the hand shower inlet if needed. Put the washers(23) in each end of the hose(24). Connect the hand shower and the connector(15) with hose.

Hang the hand shower into the shower bracket(25).



How to Operate the Hand Shower

Press the buttons of the hand shower to change the water flow.



How to Maintain the Hand Shower

Any debris or mineral build-up may cause the flow stream to become distorted or reduce the flow rate. To remove the debris or mineral build-up, run water through the hand shower, firmly press or rub your finger back and forth across the rubber nozzles.

Remove and clean the screen washer.

INSTALLATION CHECKOUT

Ensure that all connections are tight. Ensure that the handle is in the off position.

Open the drain. Turn on main water supply and check for leaks. Repair as required.

CLEANING INSTRUCTIONS

All Finishes: Clean the finish with mild soap and warm water. Wipe entire surface completely dry with clean soft cloth. Many cleaners may contain chemicals, such as ammonia, chlorine, toilet cleaner etc. which could adversely affect the finish and are not recommended for cleaning.

Do not use abrasive cleaners or solvents on Kohler faucets and fittings.