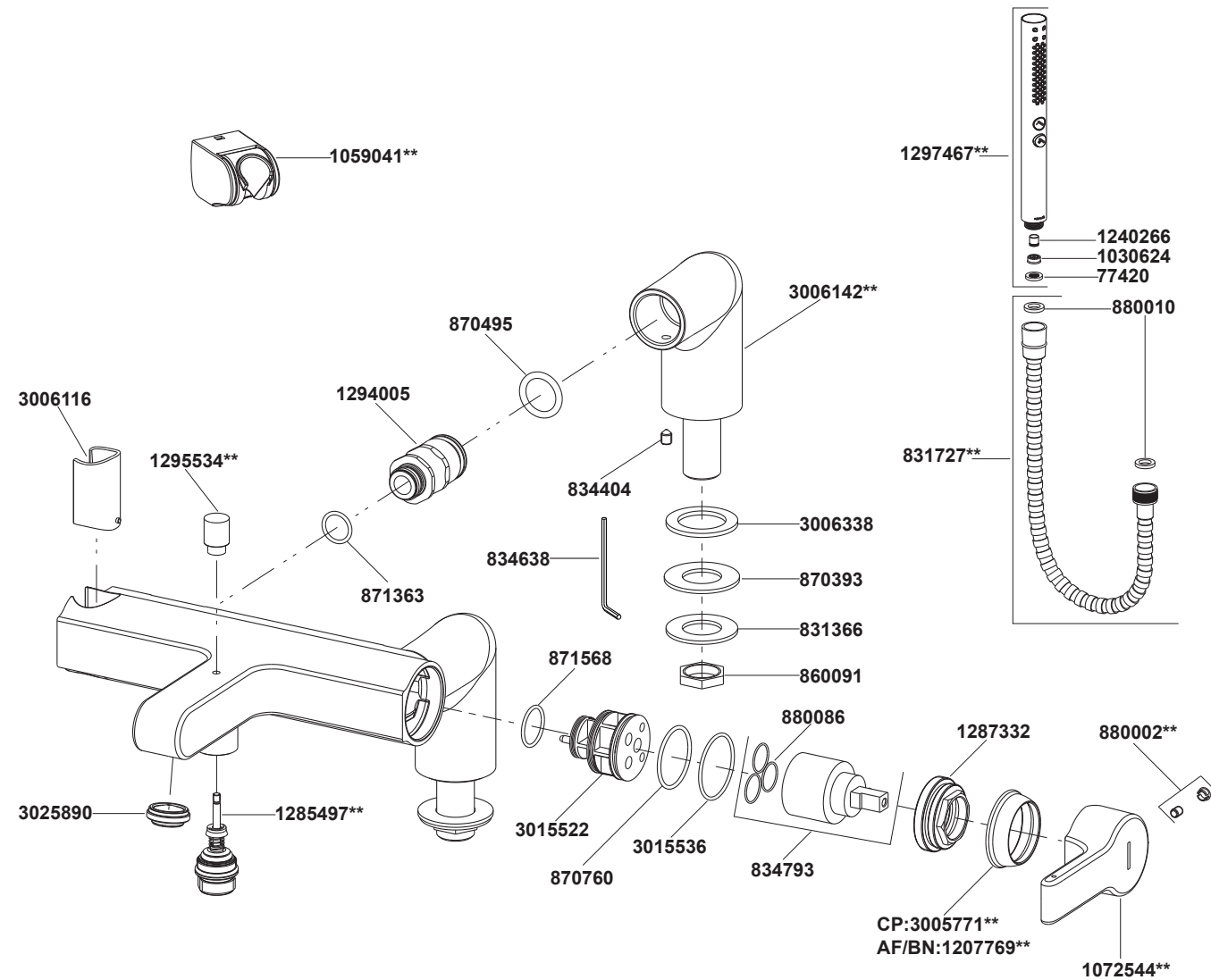


### 10868T-B4 Deck-Mount Bath & Shower Faucet



\*\*Color code must be specified when ordering.

**NOTE:** For all Asia pacific regions (excluding China) add SP (SPxxxxxx\*\*) in front of the part number when ordering.

### 10868T-B4 Deck-Mount Bath & Shower Faucet

#### BEFORE YOU BEGIN

All information is based on the latest product information available at the time of publication. Kohler Co. reserves the right to make changes in product characteristics, packaging, or availability at any time without notice.

Please leave these instructions for the consumer. They contain important information.

#### NOTES:

1. Flush the water supply pipes thoroughly to remove debris.
2. The minimum inlet water pressure for the diverter is 0.05MPa(0.5bar).
3. The highest working pressure for handshower & showerhead is 0.5MPa(5bar). If it exceeds 0.5MPa(5bar), a pressure reducer is needed. The highest water and environment temperature is 60°C. Please keep handshower, showerhead and shower arm away from heater, or it may become damaged and cause injury to the user.

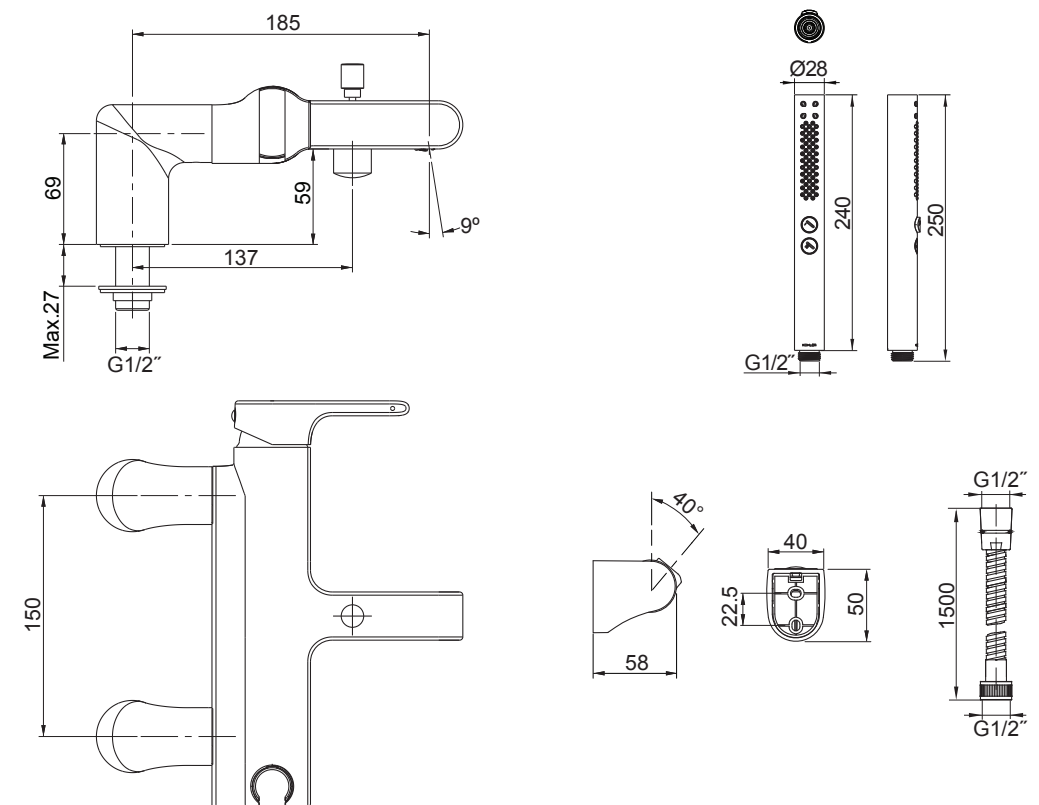
#### STANDARD APPLICABLE

Special model meets or exceeds the following at date of manufacture: TIS

#### HANDLE OPERATION

Lift the handle gently. Turn clockwise for hot water, Turn counter-clockwise for cold water. Water flows out from spout when faucet diverter is in the normal position and it's diverted to handshower when the diverter is lifted.

#### ROUGH-IN DIMENSIONS

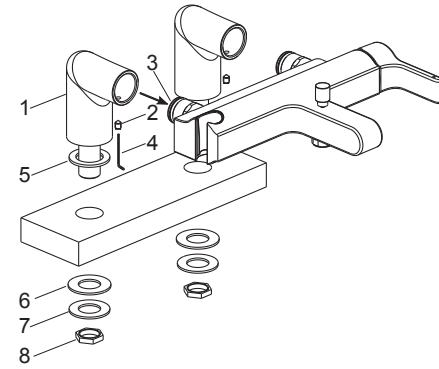


## INSTALLATION

### How to Install the Faucet

Install the deck-mount connection(1) onto the connector(3) and adjust the position as shown. Put the fixing screw(2) into the hole of the connection and tighten with the wrench(4).

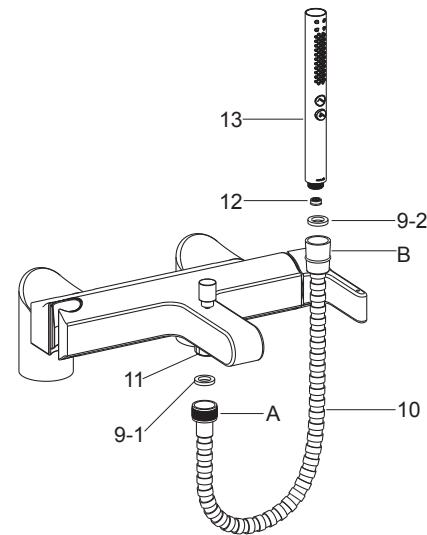
Put the washer(5) into the groove of the deck-mount connection, and then install the connections into the hole of the bath tub. Thread the washer(6)(7), nut(8) onto the shank of the connection from the underside of the bath tub. Tighten the nut(8).



### How to Install the Handshower

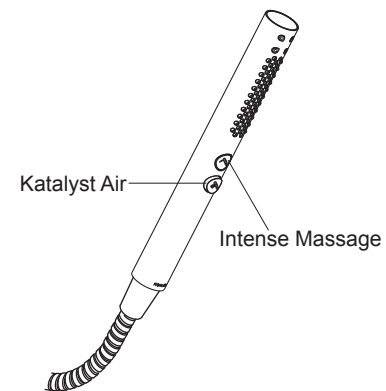
Remove the guard on the outlet connector firstly.

Put the washer(9-1) into end A of the hose(10), and then connect to the faucet outlet(11). Put the washer(9-2) into end B of the hose, and install the restrictor(12) into the handshower(13) inlet if needed, then connect end B of the hose to the handshower inlet.



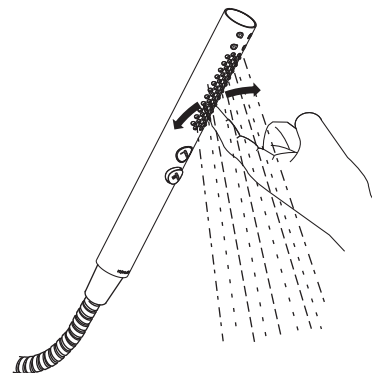
### How to Operate the Handshower

Press the buttons of the handshower to change the water flow.

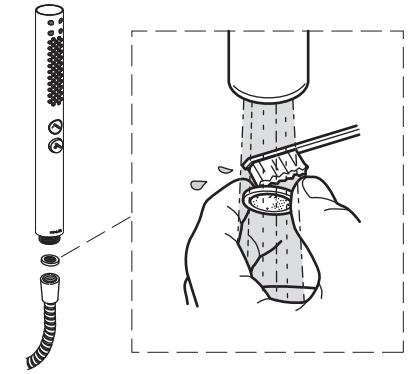


### How to Maintain the Handshower

Any debris or mineral build-up may cause the flow stream to become distorted or reduce the flow rate. To remove the debris or mineral build-up, run water through the handshower, firmly press or rub your finger back and forth across the rubber nozzles.



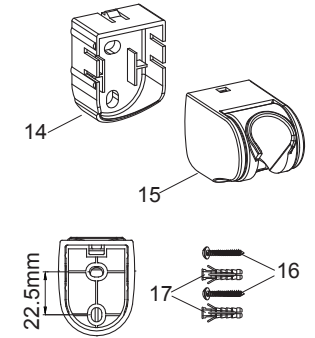
Remove and clean the screen washer.



### How to Install the Bracket

Determine a suitable location on the finished wall to install the bracket.

Mark bracket base mounting hole locations on the wall according to the dimension. Drill two holes on the finished wall, the holes should match the anchors(17). Install the anchors. Tighten screws(16) to secure bracket base(14) to the finished wall. Put the bracket(15) onto the bracket base and lock by stopper. Hang the handshower on the shower bracket.



### INSTALLATION CHECKOUT

Ensure that all coupling nuts are tightened. Ensure that the handle is in the off position. Turn on the drain and main water supply, and check for leaks. Repair as needed.

Remove the handshower. Remove the aerator by coin. Run hot and cold water through the faucet for about one minute to remove any debris. Check for leaks. Remove any debris from the aerator assembly. Shut the faucet off, and reinstall the aerator assembly and handshower.

### CLEANING INSTRUCTIONS

All Finishes: Clean the finish with mild soap and warm water. Wipe entire surface completely dry with clean soft cloth. Many cleaners may contain chemicals, such as ammonia, chlorine, toilet cleaner etc. which could adversely affect the finish and are not recommended for cleaning.

Do not use abrasive cleaners or solvents on Kohler faucets and fittings.