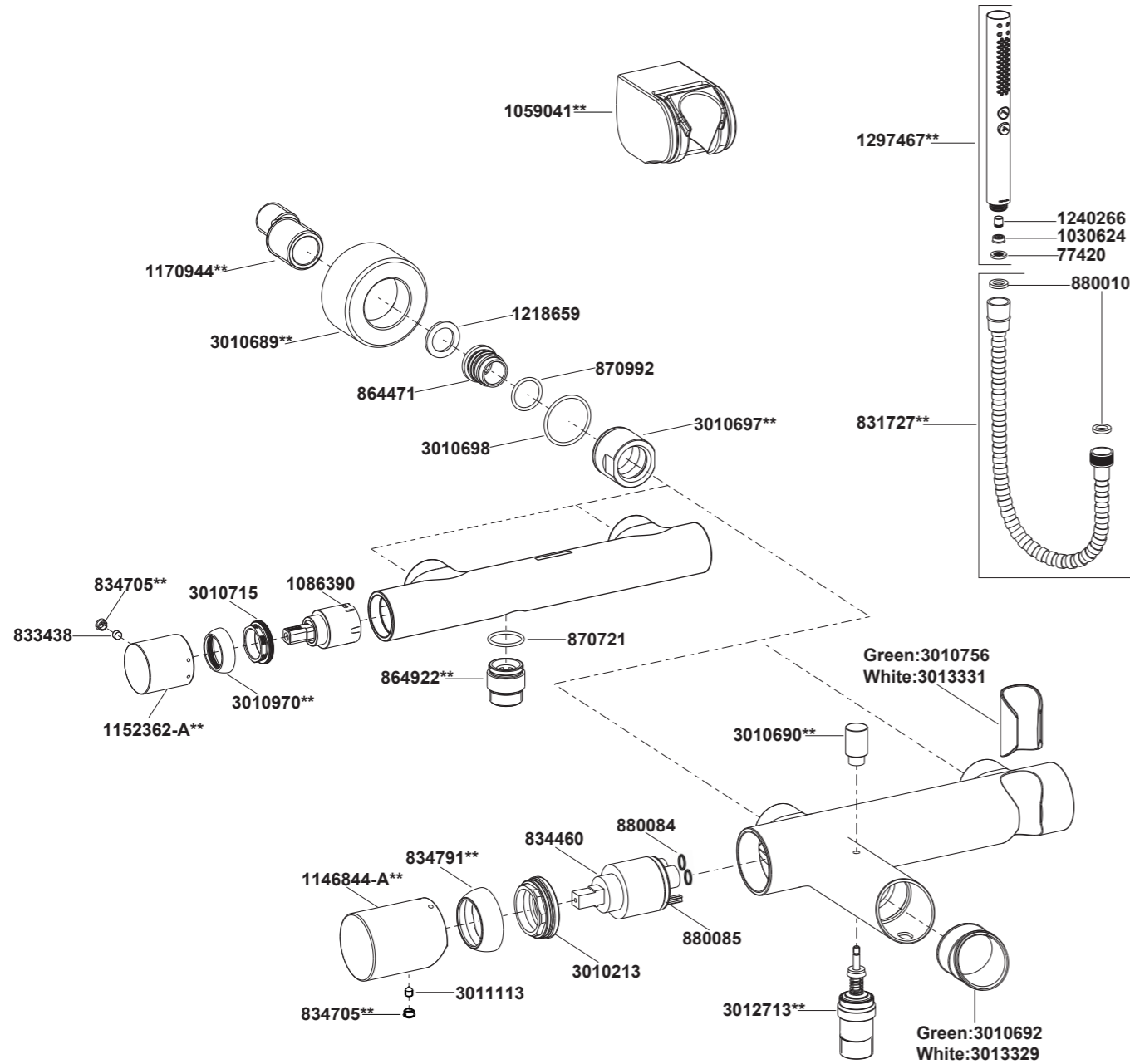


8962T-B9 Wall-Mount Shower Faucet
 8963T-B9 Wall-Mount Bath & Shower Faucet



**Color code must be specified when ordering.
NOTE: For all Asia pacific regions (excluding China) add SP (SPxxxxxx**) in front of the part number when ordering.

8962T-B9 Wall-Mount Shower Faucet
 8963T-B9 Wall-Mount Bath & Shower Faucet

BEFORE YOU BEGIN

All information is based on the latest product information available at the time of publication. Kohler Co. reserves the right to make changes in product characteristics, packaging, or availability at any time without notice.

Please leave these instructions for the consumer. They contain important information.

NOTES:

1. Flush the water supply pipes thoroughly to remove debris.
2. The minimum inlet water pressure for the diverter is 0.05MPa(0.5bar).
3. The highest working pressure for handshower & showerhead is 0.5MPa(5bar). If it exceeds 0.5MPa(5bar), a pressure reducer is needed. The highest water and environment temperature is 60°C. Please keep handshower, showerhead and shower arm away from heater, or it may become damaged and cause injury to the user.

STANDARD APPLICABLE

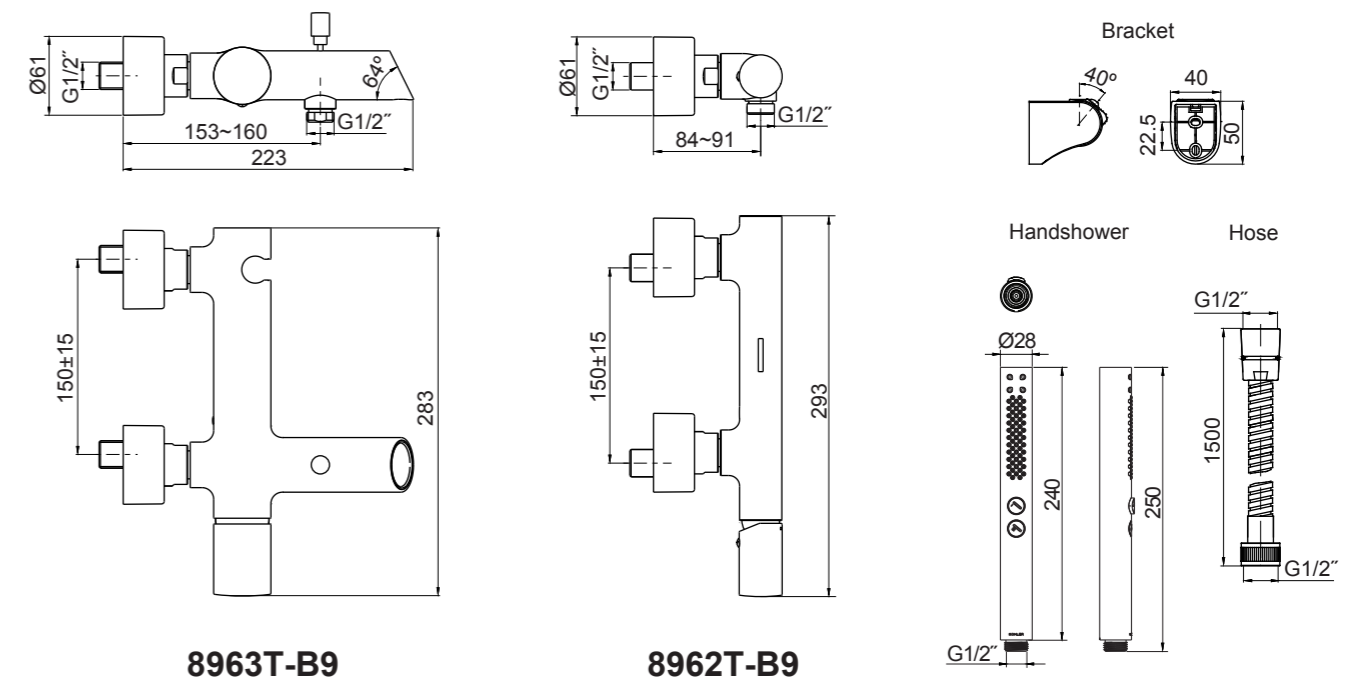
Special model meets or exceeds the following at date of manufacture: TIS

HANDLE OPERATION

For 8962T-B9, push the handle back, turn clockwise for cold water, counter-clockwise for hot water.

For 8963T-B9, push the handle down, turn clockwise for cold water, counter-clockwise for hot water, bath spout works; lift the diverter gently, turn clockwise for shower; shut off the faucet, turn counter-clockwise until it stops.

ROUGH-IN DIMENSIONS



8963T-B9

8962T-B9

INSTALLATION

How to Install the Faucet

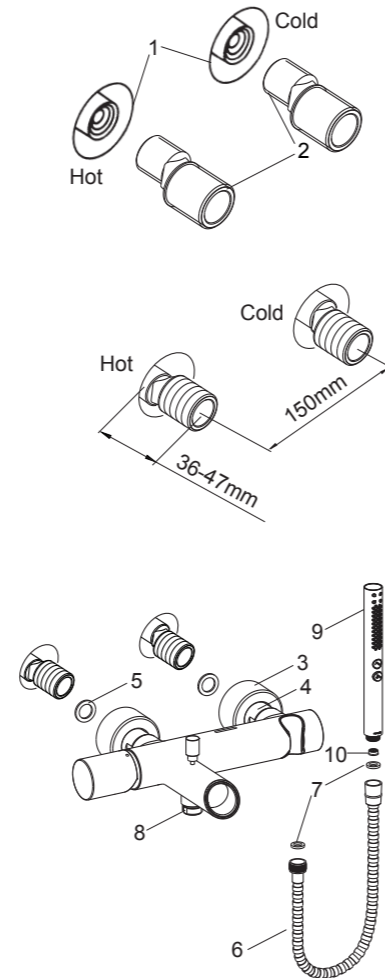
To perform installation, installer must provide G1/2" female supply fittings(1), spaced 150mm apart and horizontal. The supply fittings should be vertical and not beyond the finished wall. Hot supply pipe must be located on the left.

Install the two offset connectors(2) into the hot and cold supply pipes. Use appropriate thread sealants or thread tape on pipe threads.

Adjust the center-to-center distance between the connectors to 150mm and horizontal. They should extend 36 to 47mm beyond the finished wall.

Slide the escutcheons(3) onto the nuts(4). Put the washers(5) into the nuts, thread the nuts to connectors. Tighten the nuts with strap wrench or soft cloth between product and regular wrench. Push the escutcheon against the finished wall.

Install the restrictor(10) into the handshower(9) inlet if needed. Connect hose(6) to the faucet outlet(8), and to the handshower with washers(7).



How to Operate the Handshower

Press the buttons of the handshower to change the water flow.

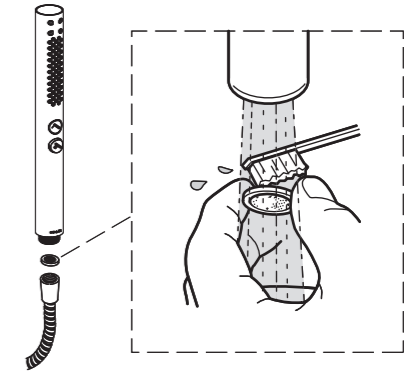


How to Maintain the Handshower

Any debris or mineral build-up may cause the flow stream to become distorted or reduce the flow rate. To remove the debris or mineral build-up, run water through the handshower, firmly press or rub your finger back and forth across the rubber nozzles.



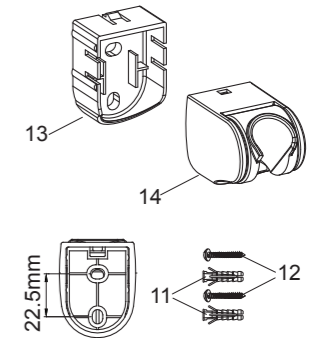
Remove and clean the screen washer.



How to Install the Bracket

Determine a suitable location on the finished wall to install the bracket.

Mark bracket base mounting hole locations on the wall according to the dimension. Drill two holes on the finished wall, the holes should match the anchors(11). Install the anchors. Tighten screws(12) to secure bracket base(13) to the finished wall. Put the bracket(14) onto the bracket base and lock by stopper. Hang the handshower on the shower bracket.



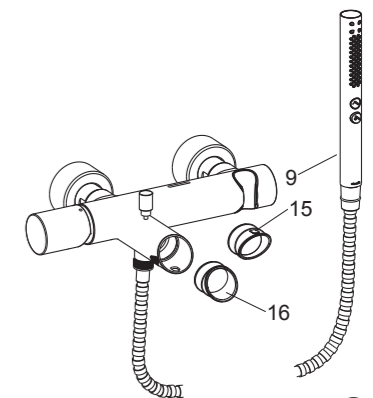
INSTALLATION CHECKOUT

Ensure that all connections are tight. Ensure that the handle is in the off position.

Turn on the drain and main water supply, and check for leaks. Repair as needed.

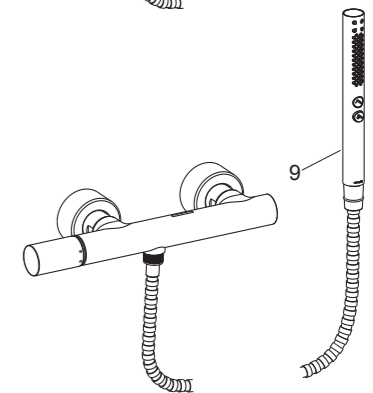
For 8963T-B9 Bath & Shower Faucet

Remove the handshower(9). Press the bulge(15) of the aerator(16) on the underside of the spout, Remove the aerator. Turn on the faucet. Run the water through the spout about one minute to remove any debris. Check for leaks. Remove any debris from the aerator. Shut off the faucet. Reinstall the handshower and aerator.



For 8962T-B9 Shower Faucet

Remove the handshower(9). Turn on the faucet. Run the water through the spout about one minute to remove any debris. Check for leaks. Shut off the faucet. Reinstall the handshower.



CLEANING INSTRUCTIONS

All Finishes: Clean the finish with mild soap and warm water. Wipe entire surface completely dry with clean soft cloth. Many cleaners may contain chemicals, such as ammonia, chlorine, toilet cleaner etc. which could adversely affect the finish and are not recommended for cleaning.

Do not use abrasive cleaners or solvents on Kohler faucets and fittings.