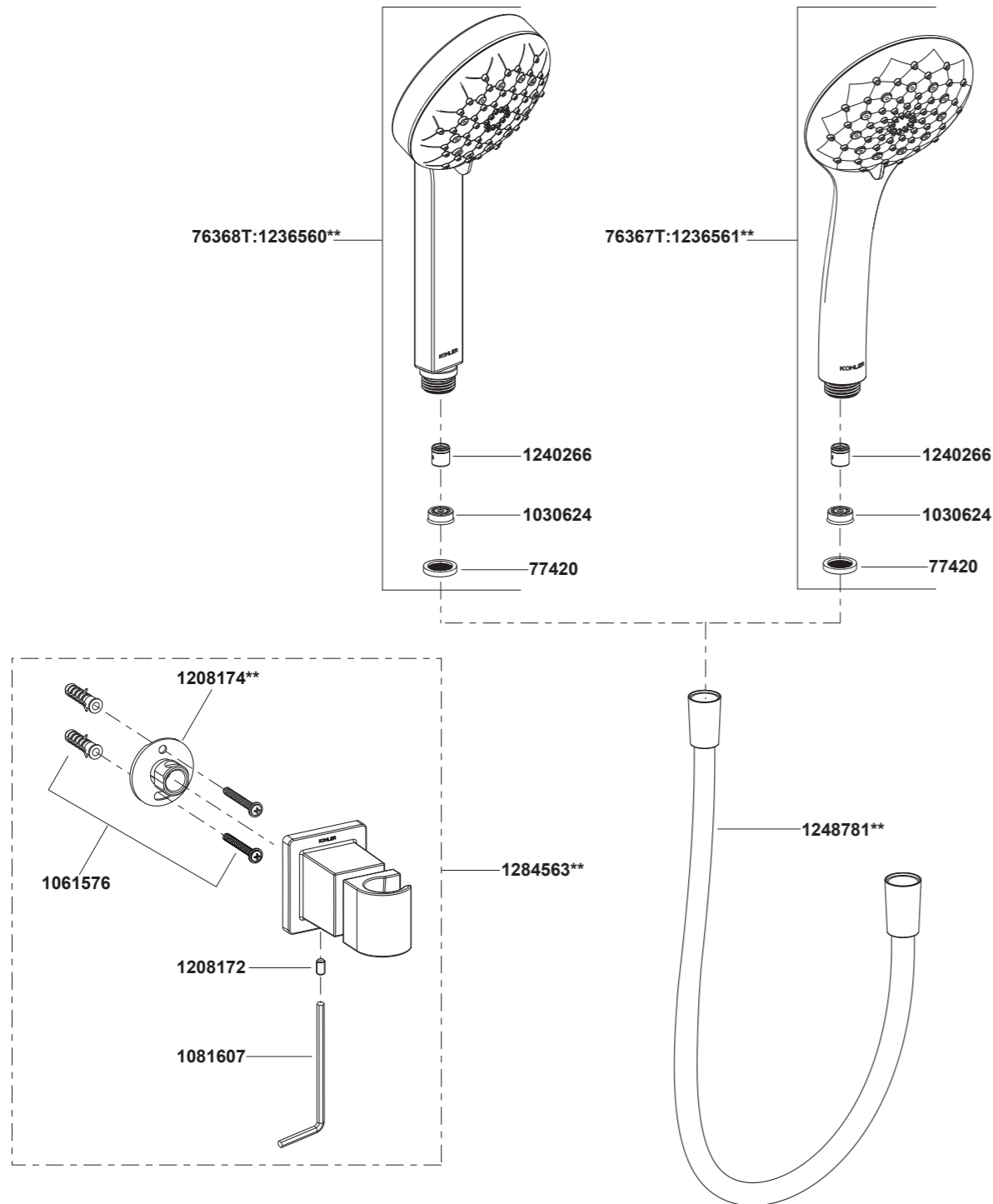


- 76367T Multifunction Handshower With Hose & Bracket-Organic
- 76368T Multifunction Handshower With Hose & Bracket-Geometric



\*\*Color code must be specified when ordering.

**NOTE:** For all Asia pacific regions (excluding China) add SP (SPxxxxxx\*\*) in front of the part number when ordering.

- 76367T Multifunction Handshower With Hose & Bracket-Organic
- 76368T Multifunction Handshower With Hose & Bracket-Geometric

### BEFORE YOU BEGIN

All information is based on the latest product information available at the time of publication. Kohler Co. reserves the right to make changes in product characteristics, packaging, or availability at any time without notice.

Please leave these instructions for the consumer. They contain important information.

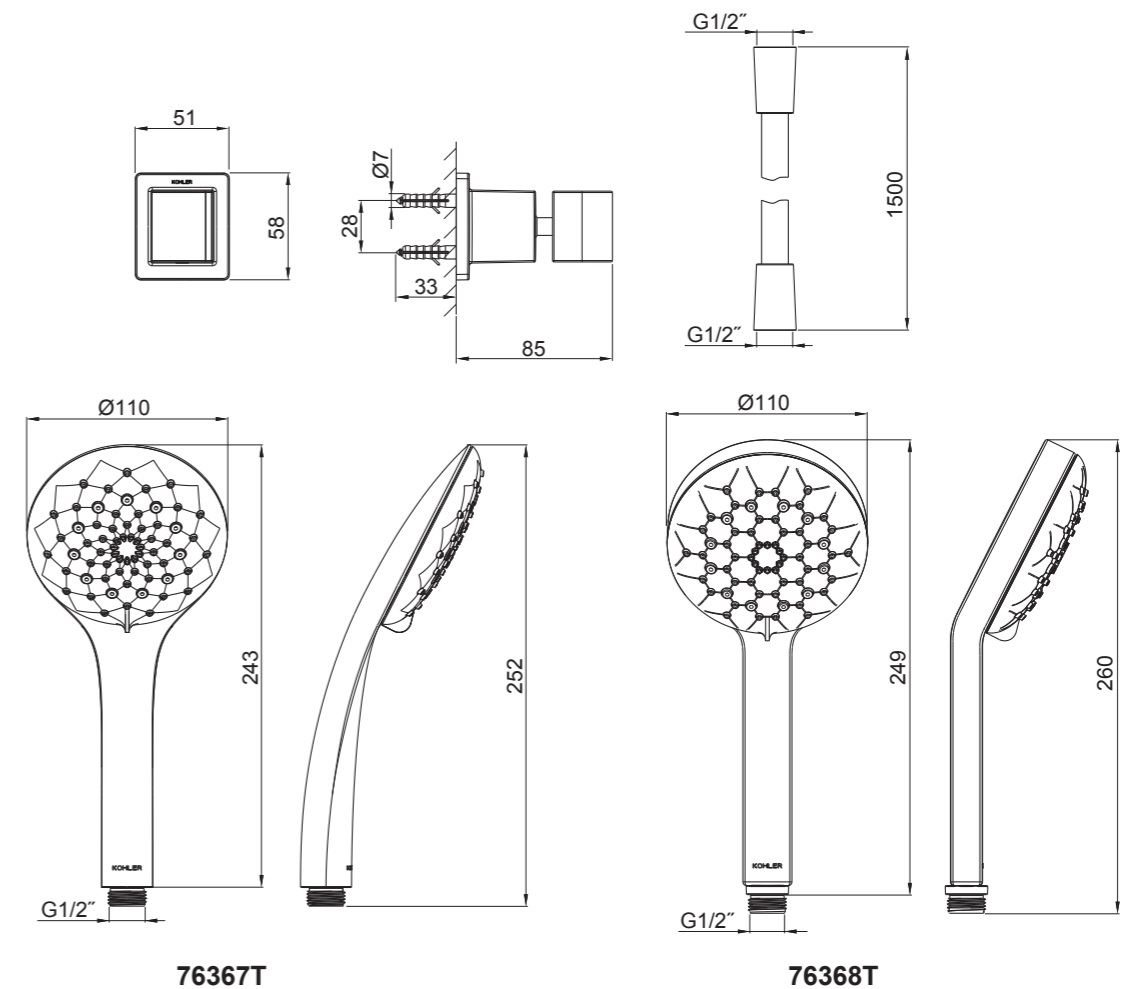
### NOTES:

1. Flush the water supply pipes thoroughly to remove debris.
2. The highest working pressure for handshower is 0.5MPa(5 bar). If it exceeds 0.5MPa(5 bar), a pressure reducer is needed. The highest water and environment temperature is 60°C. Please keep handshower, shower head and the shower arm away from heater, or it may become damaged and cause injury to the user.

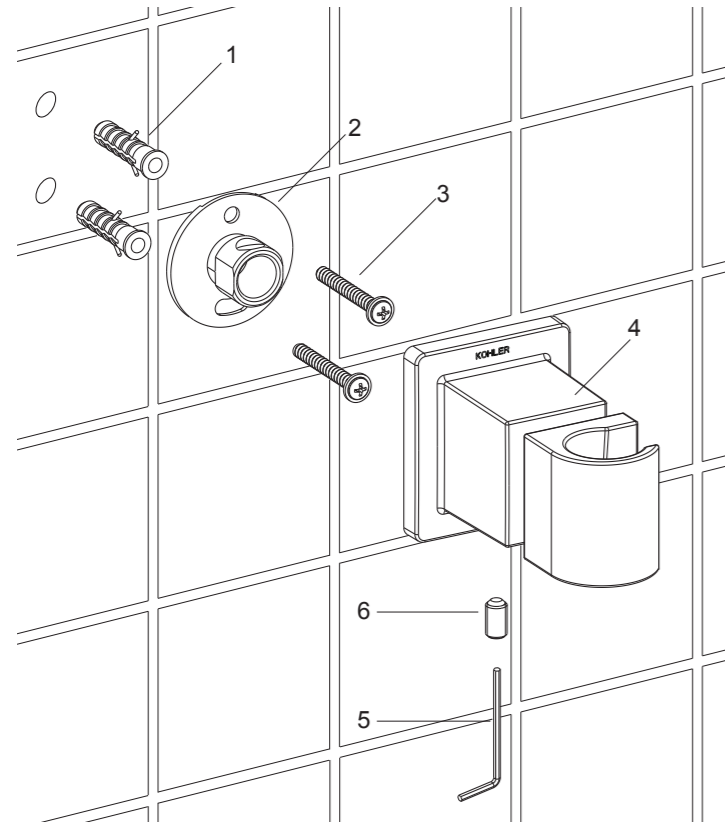
### STANDARD APPLICABLE

Special model meets or exceeds the following at date of manufacture: TIS

### ROUGH-IN DIMENSIONS



## INSTALLATION



### How to Install the Bracket

Determine a suitable location on the finished wall to install the bracket, make sure it should avoid buried cables and pipes in the wall.

Mark bracket base mounting hole locations on the wall according to the dimension. Drill two holes in the finished wall, the holes should match the anchors(1) and be vertically. Install the anchors. Tighten screws(3) to fix bracket base(2) on the finished wall. **NOTE:** The bracket base direction as shown.

Loosen the screw(6) in the bottom of the bracket(4) with the hex wrench(5), make the bracket can be installed. Apply a ring of plumber putty or other sealants around the underside of the bracket. Put the bracket onto the bracket base and lock them by screw and hex wrench.

①

Remove any excess putty.

### How to Install the Handshower and Hose

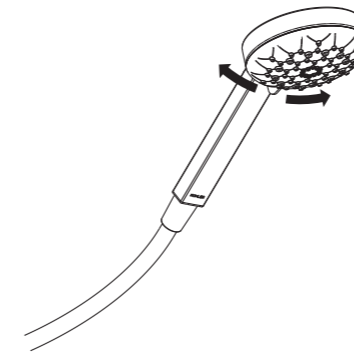
Flush both water supply for about one minute before the handshower(7) is installed.

Install check valve(8) and regulator(9) into the handshower inlet if needed.

Put the screen washer(10) into the shower hose(11) connector. Connect the handshower to shower hose. **NOTE:** Don't over tighten.

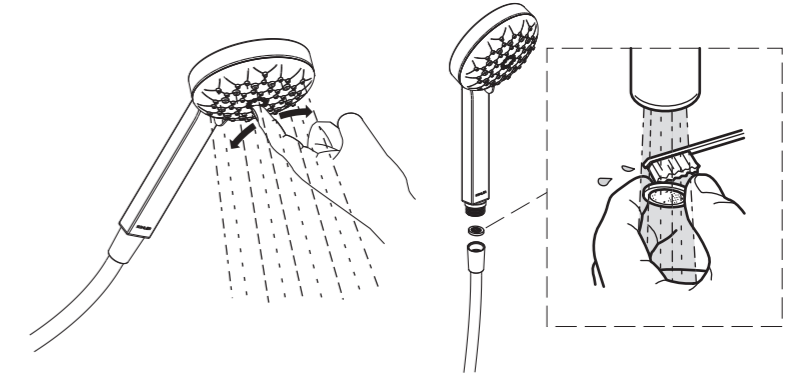
②

Hang the handshower on the shower bracket. Connect another end of shower hose to the water supply.



### How to Operate the Handshower

Rotate the knob of the handshower to change the water flow.



### How to Maintain the Handshower

Any debris or mineral build-up may cause the flow stream to become distorted or reduce the flow rate. To remove the debris or mineral build-up, run water through the hand shower, firmly press or rub your finger back and forth across the rubber nozzles.

Remove and clean the screen washer.

## CLEANING INSTRUCTIONS

All Finishes: Clean the finish with mild soap and warm water. Wipe entire surface completely dry with clean soft cloth. Many cleaners may contain chemicals, such as ammonia, chlorine, toilet cleaner etc. which could adversely affect the finish and are not recommended for cleaning.

Do not use abrasive cleaners or solvents on Kohler faucets and fittings.