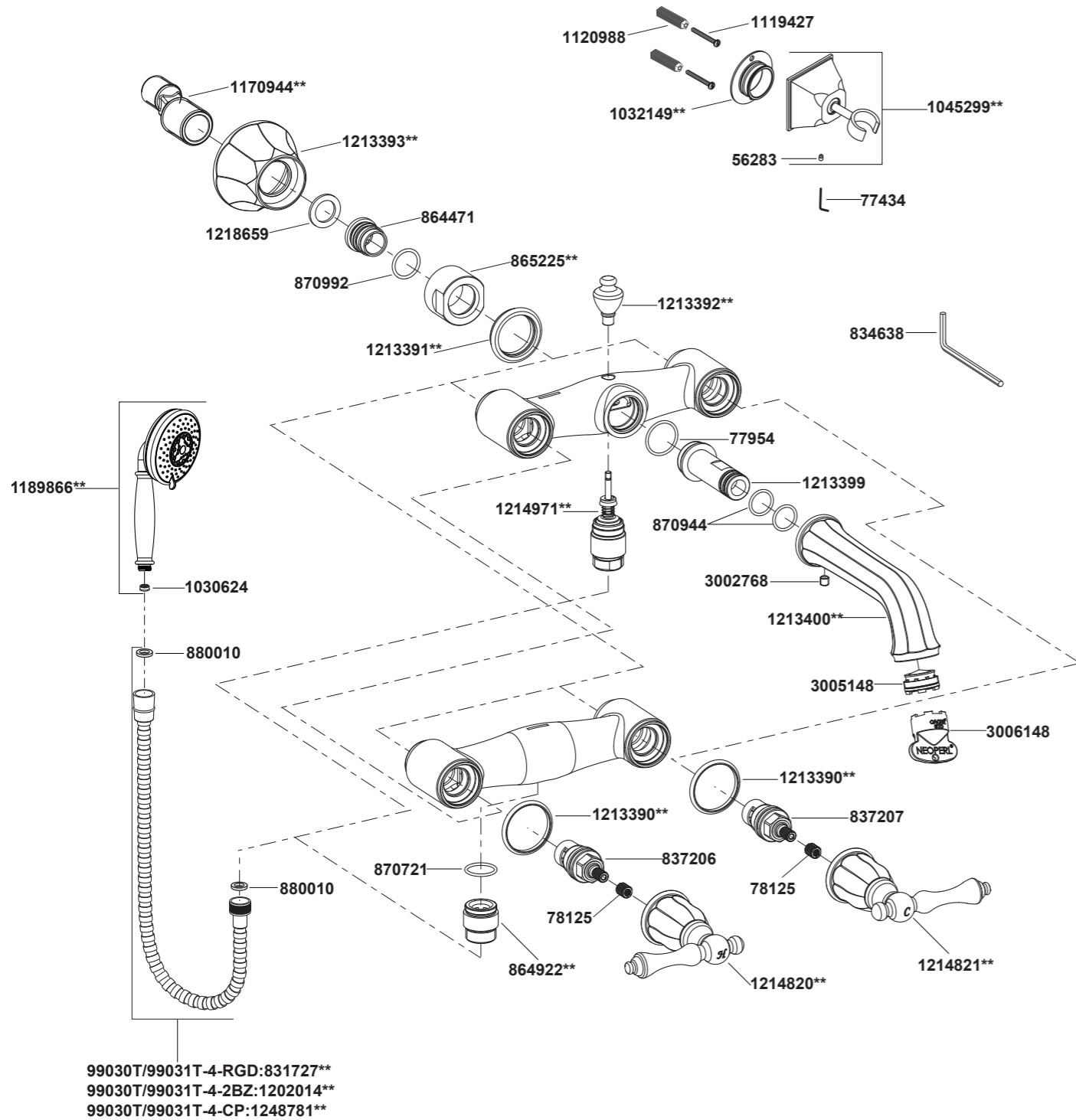


99030T-4 Exposed Bath Shower Faucet
 99031T-4 Exposed Shower Only Faucet



**Color code must be specified when ordering.

NOTE: For all Asia pacific regions (excluding China) add SP (SPxxxxxx**) in front of the part number when ordering.

99030T-4 Exposed Bath Shower Faucet
 99031T-4 Exposed Shower Only Faucet

BEFORE YOU BEGIN

All information is based on the latest product information available at the time of publication. Kohler Co. reserves the right to make changes in product characteristics, packaging, or availability at any time without notice.

Please leave these instructions for the consumer. They contain important information.

NOTES:

1. Flush the water supply pipes thoroughly to remove debris.
2. The minimum inlet water pressure for the diverter is 0.05MPa(0.5bar).
3. The highest working pressure for handspray & showerhead is 0.5MPa(5bar). If it exceeds 0.5MPa(5bar), a pressure reducer is needed. The highest water and environment temperature is 60°C. Please keep handspray, showerhead and the shower arm away from heater, or it may become damaged and cause injury to the user.

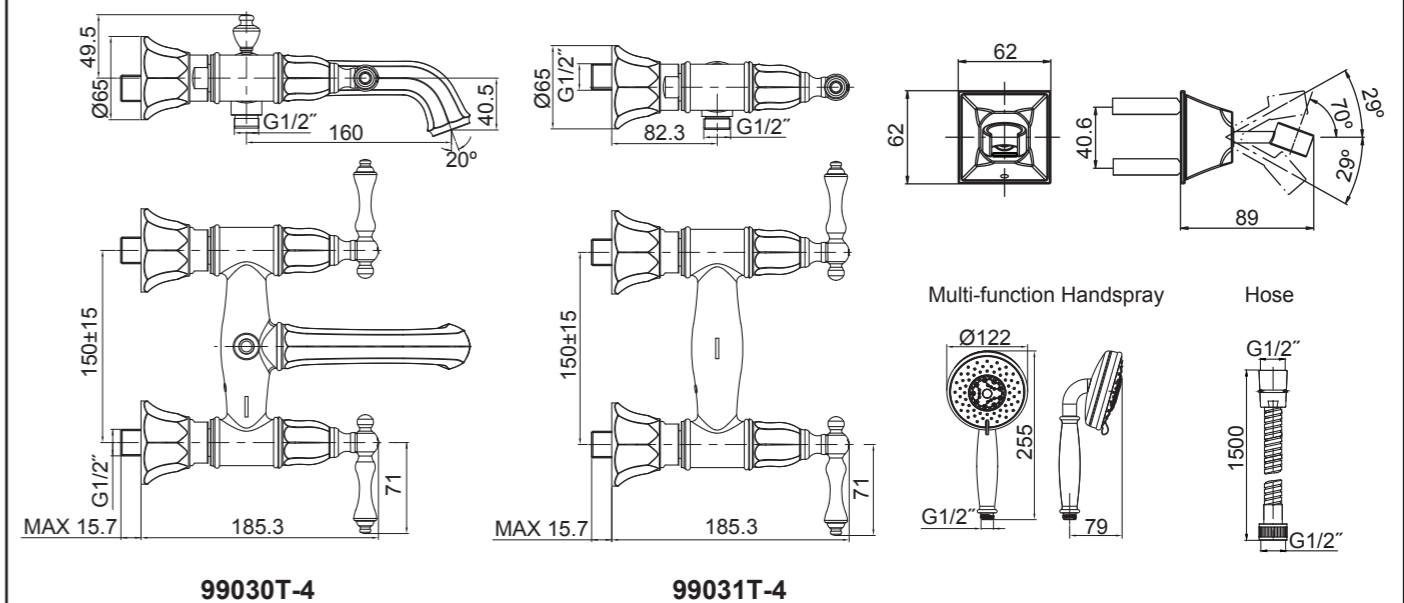
HANDLE OPERATION

Left handle opens with turning counter-clockwise, right handle opens with turning clockwise. Lift the diverter button gently, handspray works.

STANDARD APPLICABLE

Special model meets or exceeds the following at date of manufacture: TIS

ROUGH-IN DIMENSIONS



99030T-4

99031T-4

INSTALLATION

How to Install the Faucet

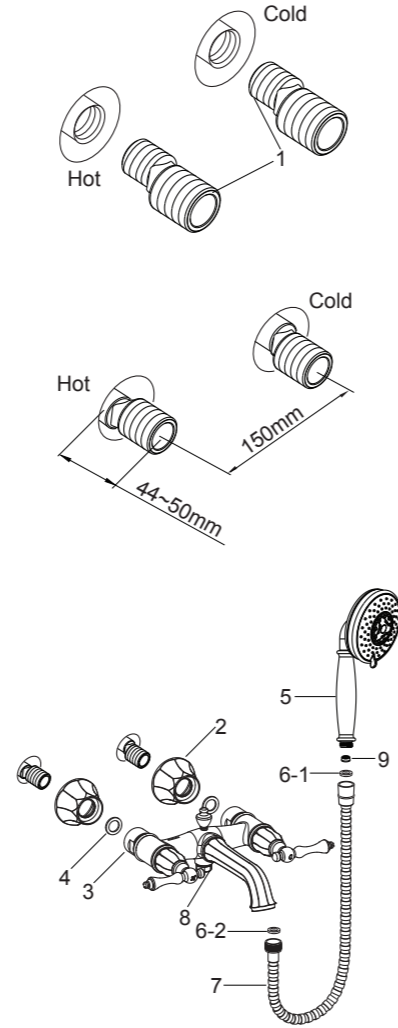
To perform installation, installer must provide G1/2" female supply fittings, spaced 150mm apart and horizontally. The supply fittings should be vertical and not beyond the finished wall. Hot supply pipe must be located on the left.

Install the two offset connectors(1) into the hot and cold supply fittings. Use appropriate thread sealants or thread tape onto the threads.

Adjust the center-to-center distance between the connectors to 150mm and horizontally. They should extend 44 to 50mm beyond the finished wall. Apply a ring of plumbers putty around the back edge of the escutcheon(2). Thread the escutcheons onto the connectors until they are against the finished wall. Remove any excess putty.

Put the washers(4) into the nuts(3) and tighten the nuts with strap wrench.

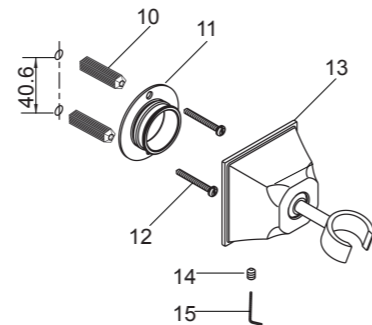
Install the regulator(9) of handspray(5) as needed(shown in regulator installation instruction). Washers(6) provided with hose(7) must be installed in each end. Connect the faucet outlet(8) and handspray with hose.



How to Install the Bracket

Determine a suitable location on the finished wall to install the bracket.

Mark bracket support(11) mounting hole locations on the wall according to the dimension. Drill two holes on the finished wall, the holes should match the anchors(10). Install the anchors. Tighten screws(12) to secure bracket support. Apply a ring of plumbers putty or sealant around the back surface of the bracket(13). Keep the mounting hole facing downwards, install the bracket onto the bracket support. Secure the bracket by tightening the screw(14) with hex wrench(15). Remove any excess putty or sealant.



INSTALLATION CHECKOUT

Ensure that all connections are tight. Ensure that the handles are in the off position.

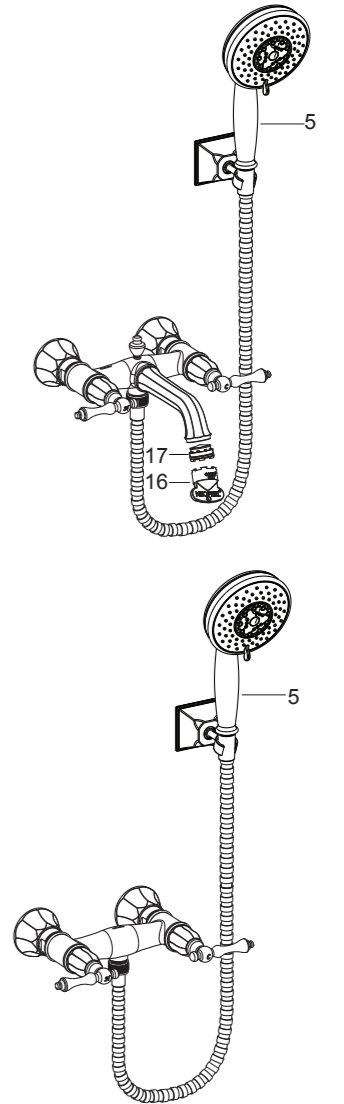
Turn on the drain and main water supply, and check for leaks. Repair as needed.

Bath & Shower Faucet:

Remove the handspray(5) and aerator (17) by the key(16). Run hot and cold water through the faucet for about one minute to remove any debris. Check for leaks. Remove any debris from the aerator. Shut off the faucet. Reinstall the aerator and handspray.

Shower Faucet:

Remove the handspray(5). Run hot and cold water through the faucet for about one minute to remove any debris. Check for leaks. Shut off the faucet. Reinstall the handspray.



CLEANING INSTRUCTIONS

All Finishes: Clean the finish with mild soap and warm water. Wipe entire surface completely dry with clean soft cloth. Many cleaners may contain chemicals, such as ammonia, chlorine, toilet cleaner etc, which could adversely affect the finish and are not recommended for cleaning.

Do not use abrasive cleaners or solvents on Kohler faucets and fittings.