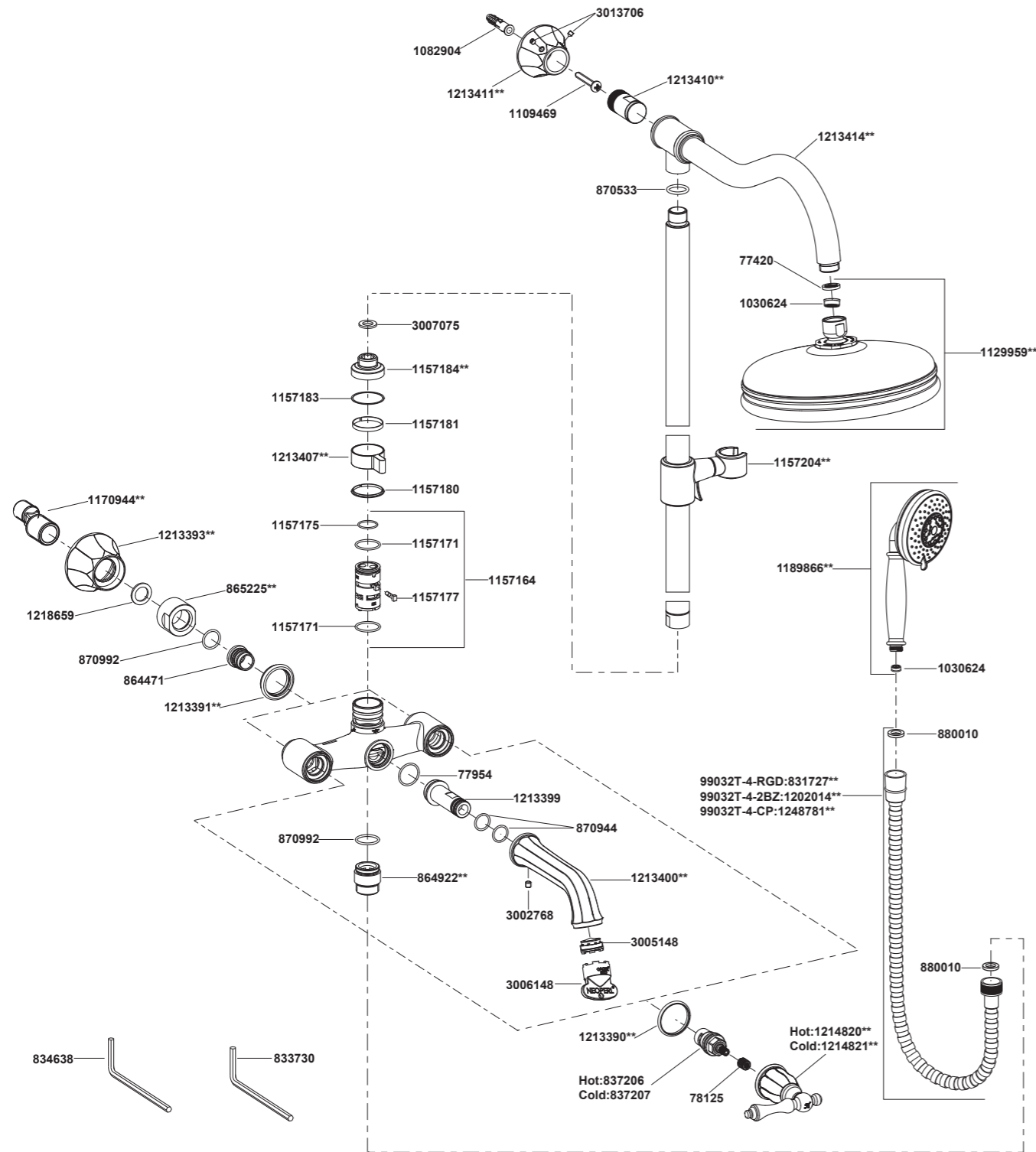


### 99032T-4 Shower Faucet



\*\*Color code must be specified when ordering.

**NOTE:** For all Asia pacific regions (excluding China) add SP (SPxxxxxx\*\*) in front of the part number when ordering.

### 99032T-4 Shower Faucet

#### BEFORE YOU BEGIN

All information is based on the latest product information available at the time of publication. Kohler Co. reserves the right to make changes in product characteristics, packaging, or availability at any time without notice.

Please leave these instructions for the consumer. They contain important information.

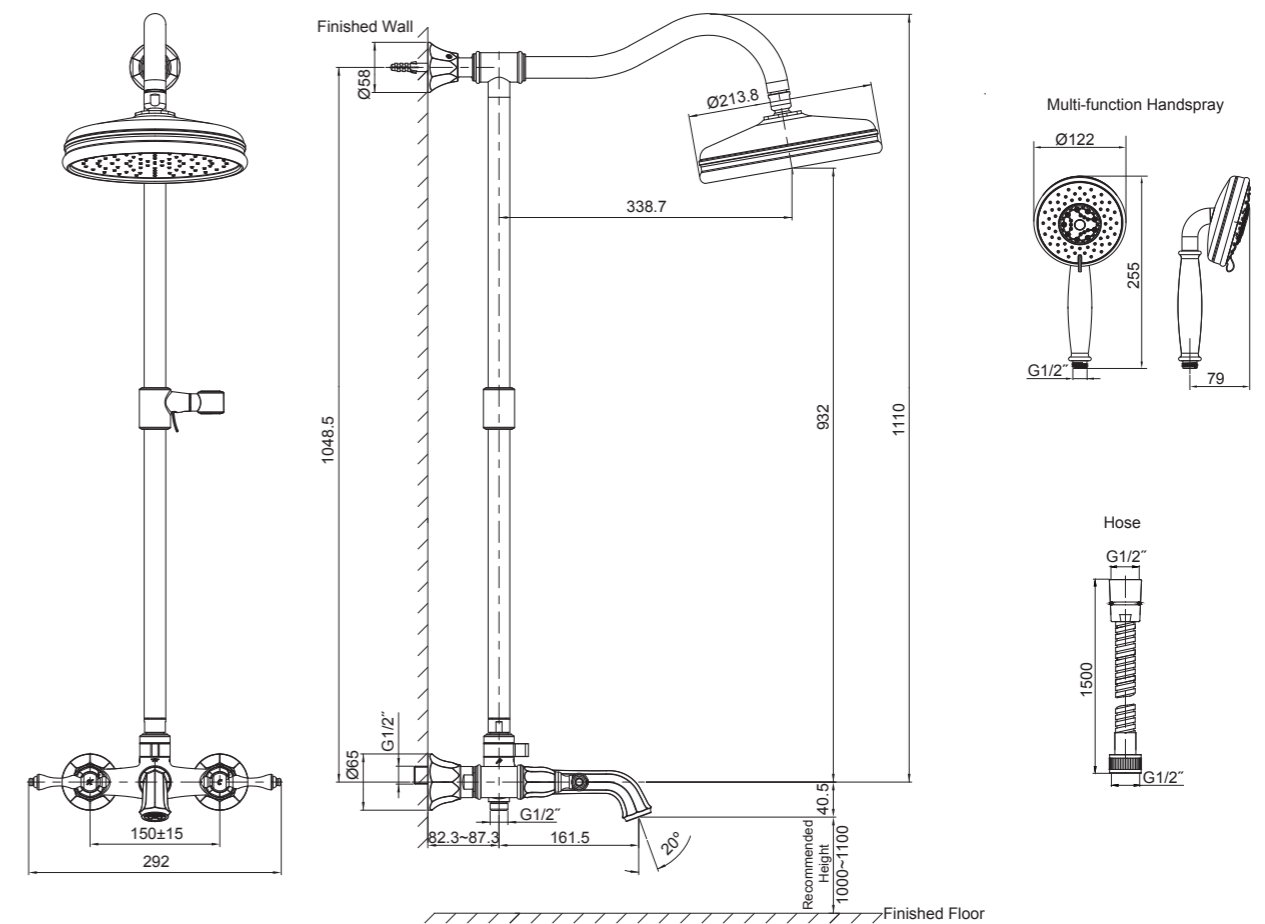
#### NOTES:

1. Shut off the water supplies to the fitting.
2. Inspect the supply tubing for damage. Replace as necessary.
3. Observe local plumbing codes.
4. The highest working pressure for handspray & showerhead is 0.5MPa(5bar). If it exceeds 0.5MPa(5bar), a pressure reducer is needed. The highest water and environment temperature is 60°C. Please keep handspray, showerhead and the shower arm away from heater, or it may become damaged and cause injury to the user.

#### STANDARD APPLICABLE

Special model meets or exceeds the following at date of manufacture: TIS

#### ROUGH-IN DIMENSIONS



## INSTALLATION

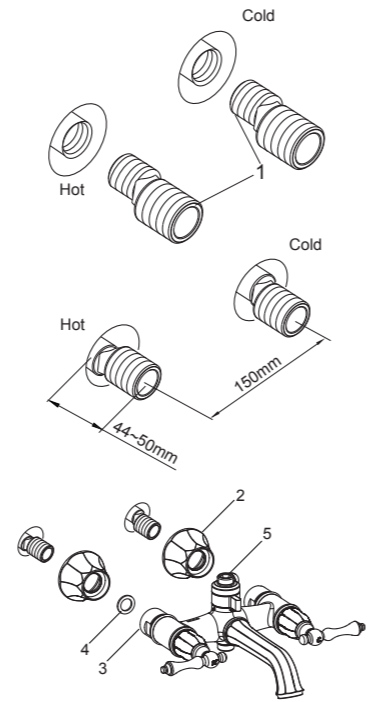
### How to Install the Faucet

To perform installation, installer must provide G1/2" female supply fittings, spaced 150mm apart and horizontally. The fittings should be vertical and not beyond the finished wall. Hot supply pipe must be located on the left.

Flush the water supply pipes thoroughly to remove debris. Install the two offset connectors(1) into the hot and cold supply pipes. Use appropriate thread sealants or thread tape on pipe threads.

Adjust the center-to-center distance between the connectors to 150mm and horizontally. They should extend 44 to 50mm beyond the finished wall. Apply a ring of plumbers putty around the back edge of the escutcheon(2). Thread the escutcheons onto the connectors until they are against the finished wall. Remove any excess putty.

Put the washers(4) into the nuts(3). Keeping the shower faucet outlet(5) upwards, and tighten the nuts with strap wrench.



### How to Install the Column

Select a location in vertical wall to install column according to rough-in dimensions.

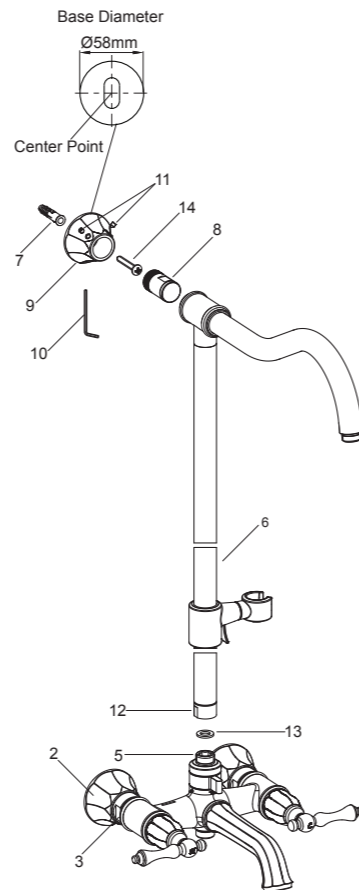
Rehearse slide bar kit(6) installation for anchor(7) mounting location determination. Connect the slide bar kit and base(9) with the connector (8). Install the screws(11) into the base with the hex wrench(10), and tighten them.

Tighten the nut(12) with the washer(13) onto the faucet outlet(5) by hand. Keep the slide bar kit parallel with the finished wall, and the escutcheons (2) against the finished wall. Loosen the screws with the hex wrench. Adjust the base so that it is against the finished wall. Tighten the screws. Mark the diameter of the base with a pencil.

Loosen the nut by hand, remove the washer, remove the slide bar kit. Loosen the screw with the hex wrench(**NOTE:** Don't lose the screw), remove the base. Unscrew the connector.

Mark the center point of the base diameter with a pencil. Drill a hole on the center point as anchor diameter. Press the anchor into the hole. Secure the base by self-tapping screw(14). Make sure two screw holes on the base upwards and the kidney slot vertically downwards.

Connect the slide bar kit and base with the connector. Thread the nut(12) with the washer(13) to the faucet outlet(5) by hand. Tighten the nut(3) with strap wrench or soft cloth between product and regular wrench. Tighten the screws with the hex wrench.

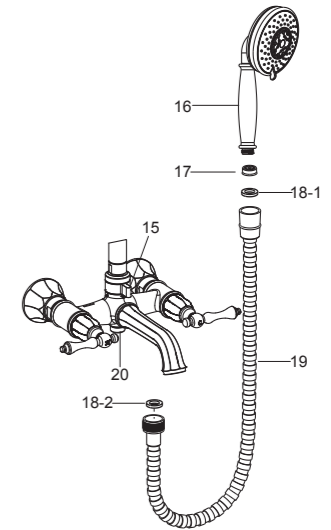


### How to Install the Handspray and Hose

Turn the diverter handle(15) to the handspray logo and run hot and cold water for about one minute to remove any debris.

Install the regulator(17) of handspray(16) as needed(shown in regulator installation instruction). Washers(18) provided with hose(19) must be installed in each end. Connect the shower outlet(20) and handspray with the hose.

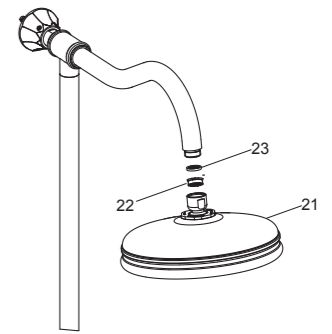
**NOTE:** If working pressure is too low, water flow restrictor is not needed.



### How to Install the Showerhead

Turn the diverter handle to the showerhead logo and run hot and cold water for about one minute to remove any debris before the showerhead (21) is installed. Tighten the showerhead onto the slide bar kit outlet with strap wrench.

Before installation, install restrictor(22) if needed. Take out washer(23) and install restrictor as the figure shown, reinstall washer.



## INSTALLATION CHECKOUT

Ensure that all coupling nuts are tight. Ensure that the handles are in the off position.

Turn on the drain and main water supply, and check for leaks. Repair as needed.

## OPERATION INSTRUCTION

Left handle opens with turning counter-clockwise, right handle opens with turning clockwise.

Turn the diverter handle to the handspray logo, water will flow from the handspray; turn it to the showerhead logo, the showerhead will work; turn it to the spout logo, water will flow the spout.

## CLEANING INSTRUCTIONS

All Finishes: Clean the finish with mild soap and warm water. Wipe entire surface completely dry with clean soft cloth. Many cleaners may contain chemicals, such as ammonia, chlorine, toilet cleaner etc, which could adversely affect the finish and are not recommended for cleaning.

Do not use abrasive cleaners or solvents on Kohler faucets and fittings.