

### 99106T-7 Dual Shower Column -8" Moxie Showerhead

#### BEFORE YOU BEGIN

All information is based on the latest product information available at the time of publication. Kohler Co. reserves the right to make changes in product characteristics, packaging, or availability at any time without notice. Please leave these instructions for the consumer. They contain important information.

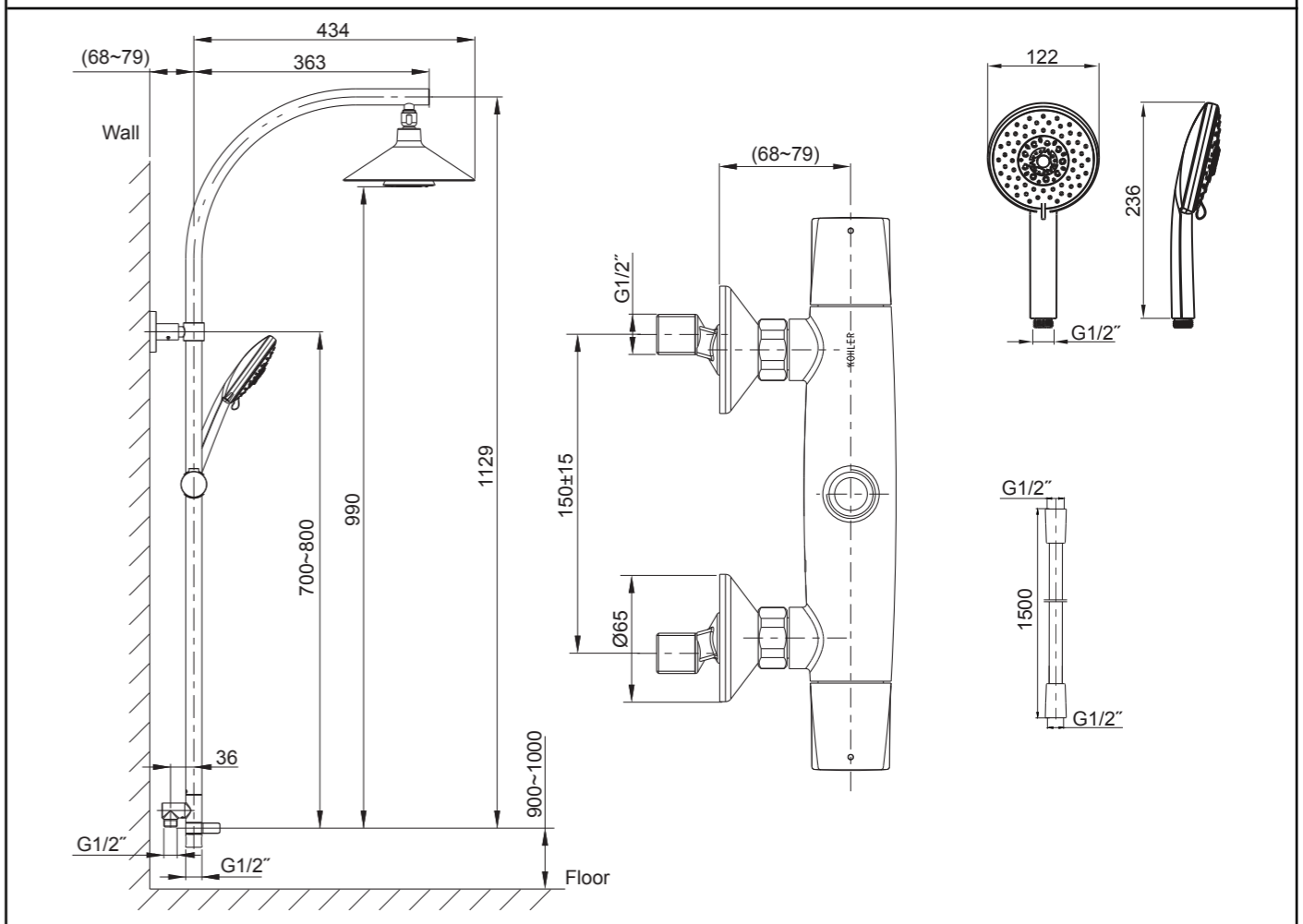
#### NOTES:

1. Shut off the water supplies to the fitting.
2. Inspect the supply tubing for damage. Replace as necessary.
3. Observe local plumbing codes.
4. Recommended minimum working pressures is 0.1MPa (1bar).
5. The highest working pressure for showerhead & hand shower is 0.5MPa(5bar). If it exceeds 0.5MPa(5bar), a pressure reducer is needed. The highest water and environment temperature is 60°C. Please keep wireless speaker, battery, handshower, showerhead and the shower arm away from heater, or it may become damaged and cause injury to the user.

#### STANDARD APPLICABLE

Special model meets or exceeds the following at date of manufacture: TIS

#### ROUGH-IN DIMENSIONS



## INSTALLATION

### How to Install the Faucet

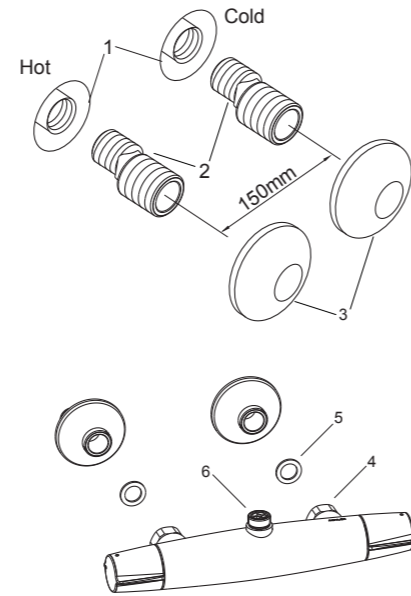
To perform installation, installer must provide G1/2" female supply fittings(1), spaced 150mm apart, horizontal and vertical to the finished wall.

Flush the water supply pipes thoroughly to remove debris.

Apply enough tape or suitable sealant on threads of offset connectors(2). Install the two offset connectors into the hot and cold supply pipes. Adjust the center-to-center distance between the connectors to 150mm and horizontal. They should extend 28 to 39mm beyond the finished wall.

Thread the escutcheons(3) onto the connectors until they are against the finished wall.

Put washers(5) into supply nuts(4) of the faucet. Keeping the faucet outlet(6) upwards, thread the faucet supply nuts onto the connectors and tighten.

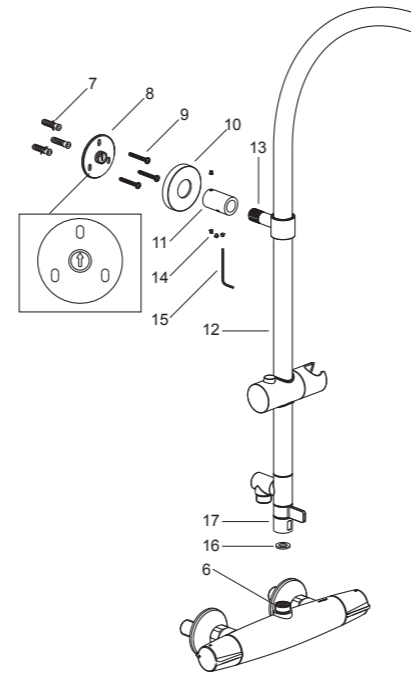


### How to Install the Shower Column

Drill hole in the finished wall according to the rough-in dimensions, diameter of the anchor(7) and the position of mounting base(8)(**Note:** Make sure the hole be up-aligned to the shower outlet, the arrow in the base is upward). Insert the anchor into the hole. Secure the mounting base by self-tapping screw(9).

Connect the supporter(13) of shower column(12) to mounting base with the tube joint(11) and escutcheon(10). Tighten the screw(14) with hex wrench(15) to secure the supporter. Screw the escutcheon until it against wall.

Put washer(16) into nut(17). Make sure the outlet of shower column faces the front. Thread the nut onto the faucet outlet(6), adjust the shower column if needed. Tighten the nut with a strap wrench.

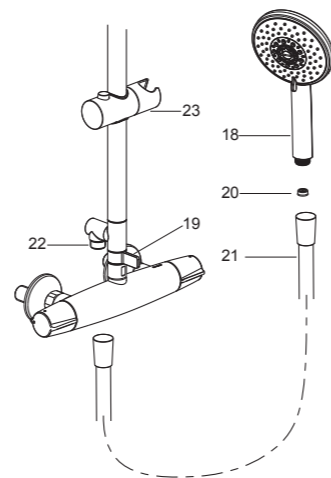


### How to Install the Handshower

Ensure that the diverter handle(19) is in the position for handshower. Flush hot and cold water supplies to remove any debris before the handshower(18) is installed.

Put the regulator(20) into the handshower inlet if needed. Connect the connector(22) and handshower with hose(21). Tighten all the connectors.

Hang the handshower on the shower bracket (23).

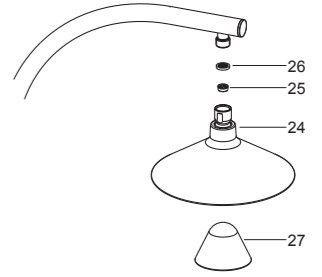


## How to Install the Showerhead

Turn the diverter handle to showerhead(24) work, run hot and cold water for one minute to remove any debris before the showerhead is installed.

Put the regulator(25) into the showerhead inlet if needed. Connect the showerhead to the tube kit outlet with the washer(26), and tighten the showerhead with strap wrench.

Press the silicone onto moxie wireless speaker(27), put them gently into the showerhead.



## INSTALLATION CHECKOUT

Ensure that all coupling nuts are tight. Close the valves. Turn on the main water supply, and check for leaks. Repair as needed.

## CLEANING INSTRUCTIONS

All Finishes: Clean the finish with mild soap and warm water. Wipe entire surface completely dry with clean soft cloth. Many cleaners may contain chemicals, such as ammonia, chlorine, toilet cleaner etc. which could adversely affect the finish and are not recommended for cleaning.

Do not use abrasive cleaners or solvents on Kohler faucets and fittings.

## OPERATION INSTRUCTIONS

### How to Operate the Faucet

Face to shower column, left handle controls hot water, right handle controls cold water. Left handle opens with turning clockwise. Right handle opens with turning counter-clockwise.

Turn the diverter handle counter-clockwise for handshower; turn clockwise for showerhead.

### How to Operate the Wireless Speaker

**WARNING: Risk of property damage.** Do not expose batteries to sunlight, fire, or other forms of excessive heat.

**CAUTION: Risk of product damage.** Do not submerge the wireless speaker.

**CAUTION: Risk of product damage.** The wireless speaker and battery are rated to operate in temperatures up to 140°F(60°C). Do not expose to heat sources or install in any location where the temperature may exceed 140°F(60°C).

- This wireless speaker complies with FCC, IC, SRRC and CE.
- To play your personal music files, you need a wireless BLUETOOTH® device.
- This device is rated to IPX4.



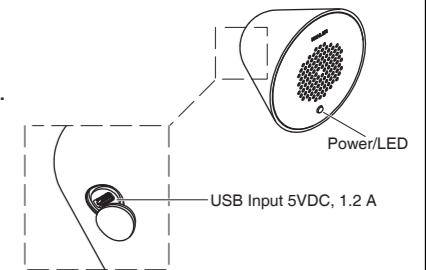
Check local regulations for proper disposal.

The BLUETOOTH® word mark and logos are registered trademarks owned by Bluetooth SIG, Inc. and any use of such marks by Kohler Co. is under license. Other trademarks and trade names are those of their respective owners.

- Set your music device to a midrange volume before connecting to the wireless speaker.
  - Press the power button for 1 second to power the wireless speaker ON or OFF.
  - The light will blink blue to indicate pairing mode.
  - Pair with your BLUETOOTH® device. If a password is required, enter "0000".
- The light will turn solid blue when connected.

**NOTE:** If pairing is lost, the wireless speaker will power OFF after 90 seconds.

- Use the USB cable provided to recharge.



### LED Status---Operating Mode

- Blue blink---BLUETOOTH pairing mode.
- Blue---Connected to a BLUETOOTH device.
- Blue/red blink---Connected to a BLUETOOTH device. Battery is low.

### LED Status---Charging Mode

- Red blink---Battery is charging.
- Red---Battery recharge is complete.

For troubleshooting information, refer to homeowners Guide on your product detail page at [www.kohler.com.cn](http://www.kohler.com.cn), [www.kohler.com.hk](http://www.kohler.com.hk), [www.kohlerasiapacific.com](http://www.kohlerasiapacific.com) and [www.kohlerthai.com](http://www.kohlerthai.com).

### Statistics of Contents of Toxic or Hazardous Substances or Elements

Part name	Toxic or Hazardous Substance or Elements					
	Lead (Pb)	Mercury (Hg)	Cadmium (Cd)	Hexavalent Chromium (Cr(VI))	Polybrominated biphenyls (PBB)	Polybrominated Diphenyl Ethers (PBDE)
Faucet Assy.	×	○	○	○	○	○
Column Assy.	×	○	○	○	○	○
Showerhead Assy.	×	○	○	○	○	○
Handshower Assy.	○	○	○	○	○	○
Sounder Assy.	×	○	○	○	○	○

○: Indicates that the substance in the material composition is below the high limits of the current requirements in GB/T 26572.

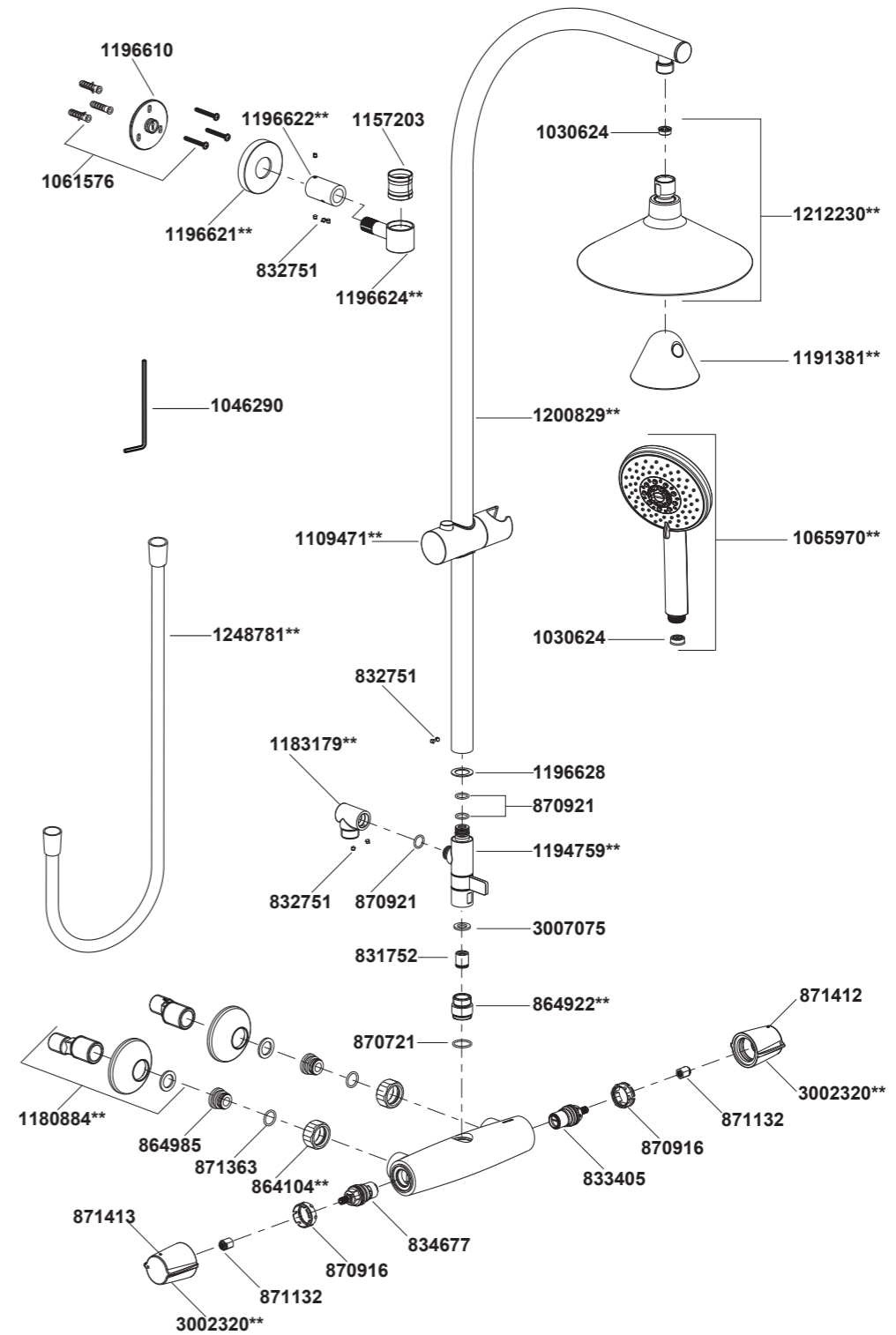
×: Indicates that at least one of the homogeneous substance in the material composition is below the high limits of the current requirements in GB/T 26572.

Note: the information provided is based on the supplier data and Kohler inspection results. The product is designed not to hurt the environment. Under current technology, all hazardous materials have been used in the smallest amounts possible. Kohler will strive to reduce the use of these hazardous materials used in this product.



The product "service life for environment protection" is 10 years; Kohler Company will specify product service life based on product characteristics. The product "service life for environment protection" is only effective when the product is used as described in the product specification.

### 99106T-7 Dual Shower Column -8" Moxie Showerhead



\*\*Color code must be specified when ordering.

**NOTE:** For all Asia pacific regions (excluding China) add SP (SPxxxxxx\*\*) in front of the part number when ordering.