

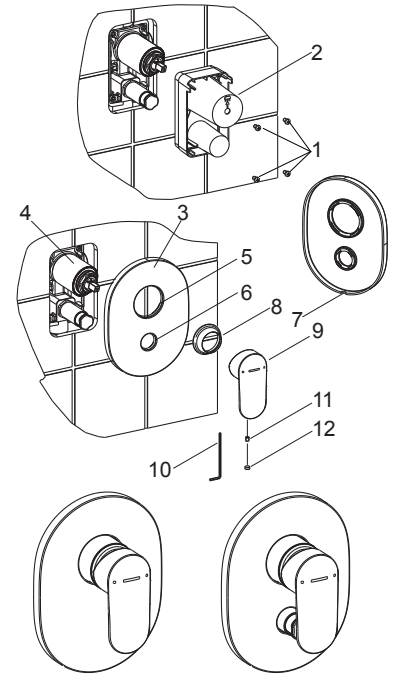
INSTALLATION

NOTE: Install valve 880* according to the rough-in dimensions of 99471T-4, Install valve 882* according to the rough-in dimensions of 99472T-4.

Loosen the screws(1), and remove the plastic guard(2) after completed the finished wall.

Apply a ring of plumbers putty around the back surface of the faceplate(3). Slide the faceplate onto the valve(4) with slots(7) downwards(**NOTE:** Don't squeeze out the rings 5,6). Push it against the wall. Remove any excess putty. Screw the bonnet(8) on the valve. Install the handle(9) on the valve stem. Tighten the screw(11) with the hex wrench(10). Press plug button(12) to the hole.

The illustration shown is the correct position of the handle in the closed position.

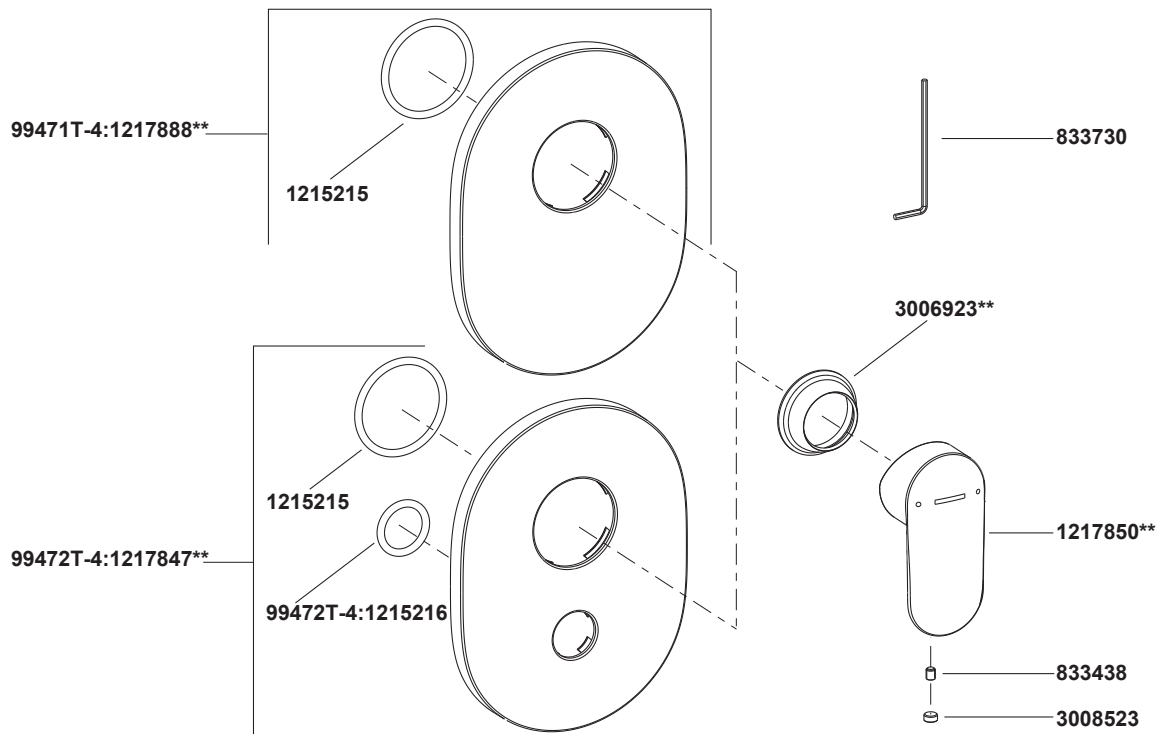


CLEANING INSTRUCTIONS

All Finishes: Clean the finish with mild soap and warm water. Wipe entire surface completely dry with clean soft cloth. Many cleaners may contain chemicals, such as ammonia, chlorine, toilet cleaner etc. which could adversely affect the finish and are not recommended for cleaning.

Do not use abrasive cleaners or solvents on Kohler faucets and fittings.

SERVICE PARTS



**Color code must be specified when ordering