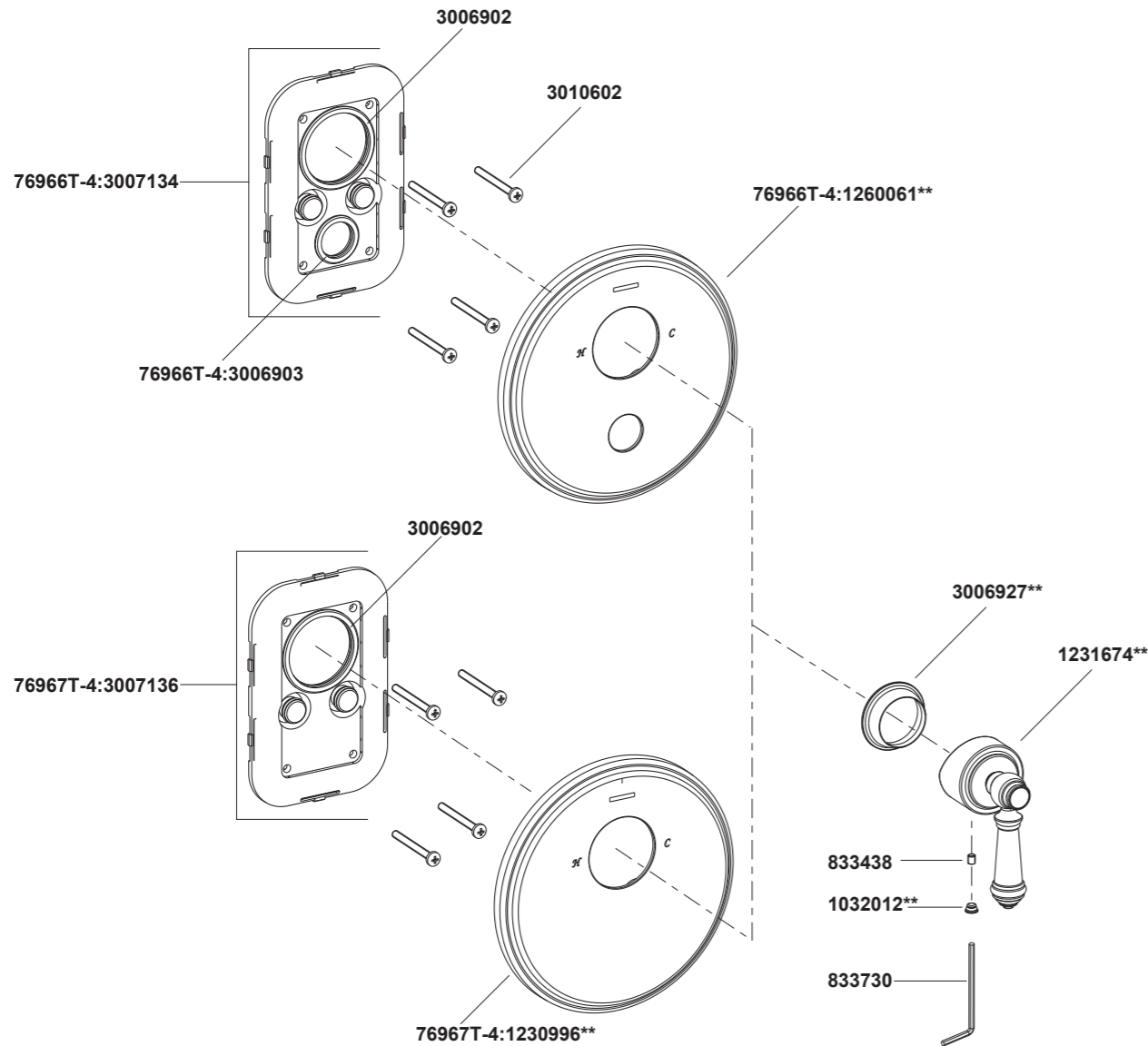


76966T-4 Recessed Shower Bath Trim Kit With Diverter
76967T-4 Recessed Shower Trim Kit



**Color code must be specified when ordering.
NOTE: For all Asia pacific regions (excluding China) add SP (SPxxxxxx**) in front of the part number when ordering.

76966T-4 Recessed Shower Bath Trim Kit With Diverter
76967T-4 Recessed Shower Trim Kit

BEFORE YOU BEGIN

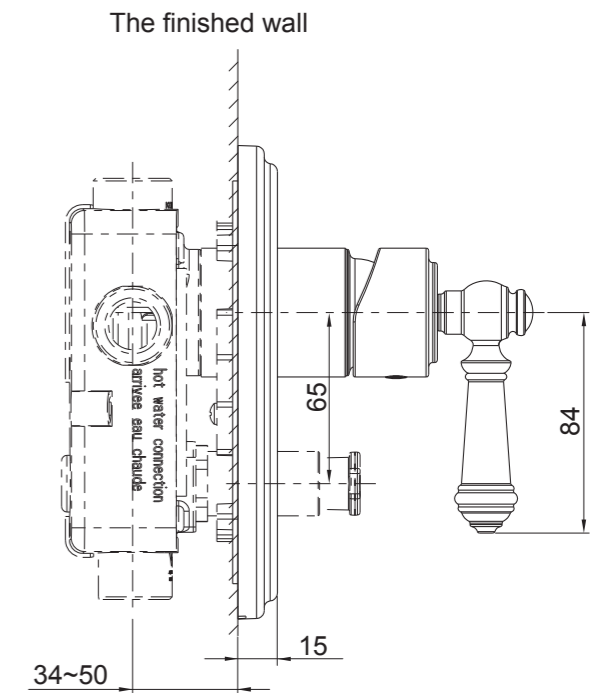
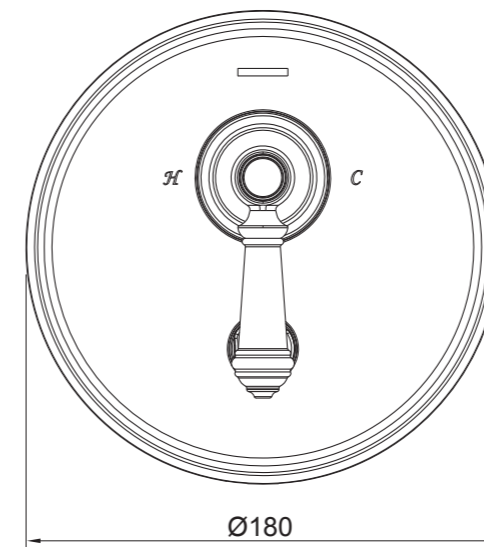
All information is based on the latest product information available at the time of publication. Kohler Co. reserves the right to make changes in product characteristics, packaging, or availability at any time without notice.

Please leave these instructions for the consumer. They contain important information.

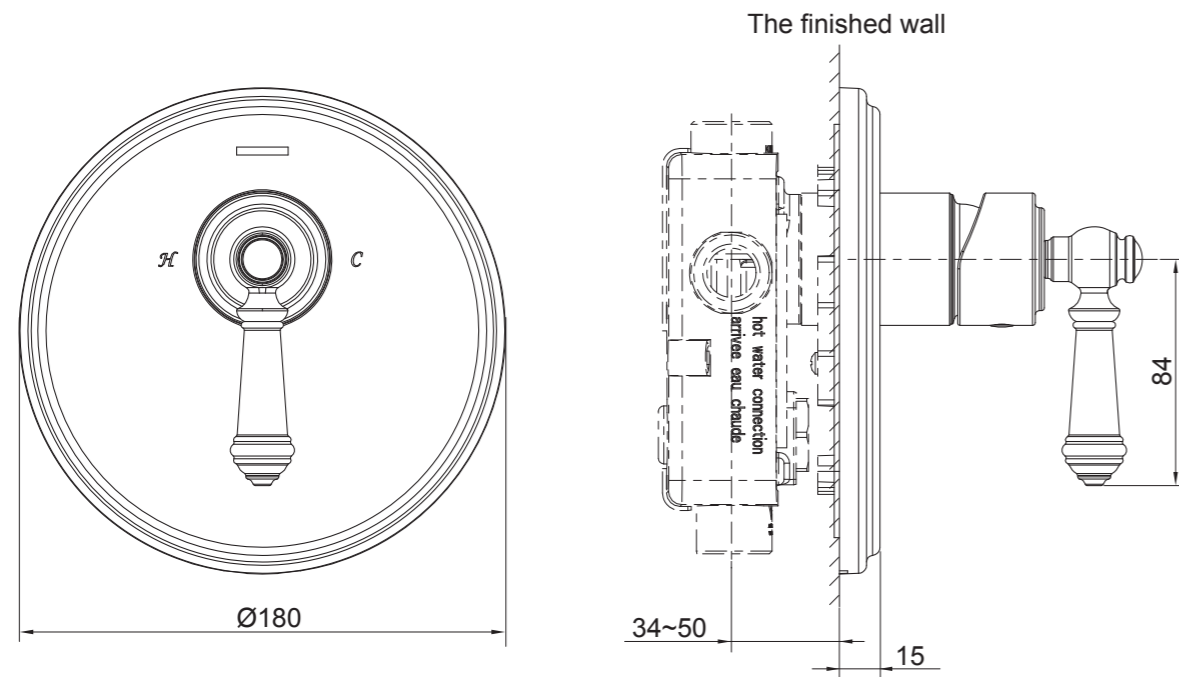
NOTES:

1. Flush the water supply pipes thoroughly to remove debris.
2. Do not remove the plastic guard from the valve body until instructed to.
3. Install valve 882* according to the rough-in dimensions of 76966T-4, install valve 880* according to the rough-in dimensions of 76967T-4.
4. All installations should comply with the relevant requirements of AS/NZS 3500.

ROUGH-IN DIMENSIONS

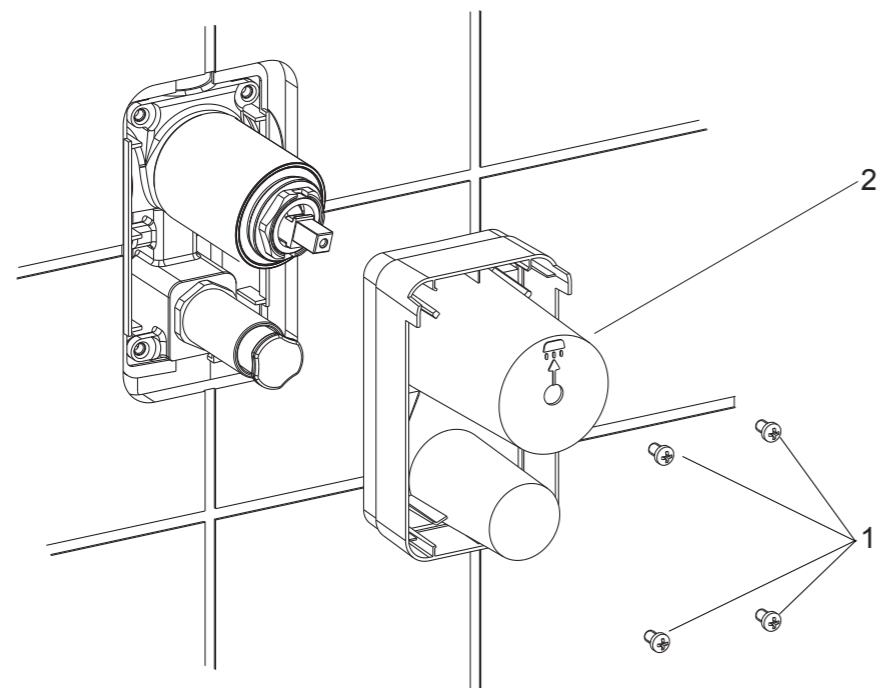


76966T-4



76967T-4

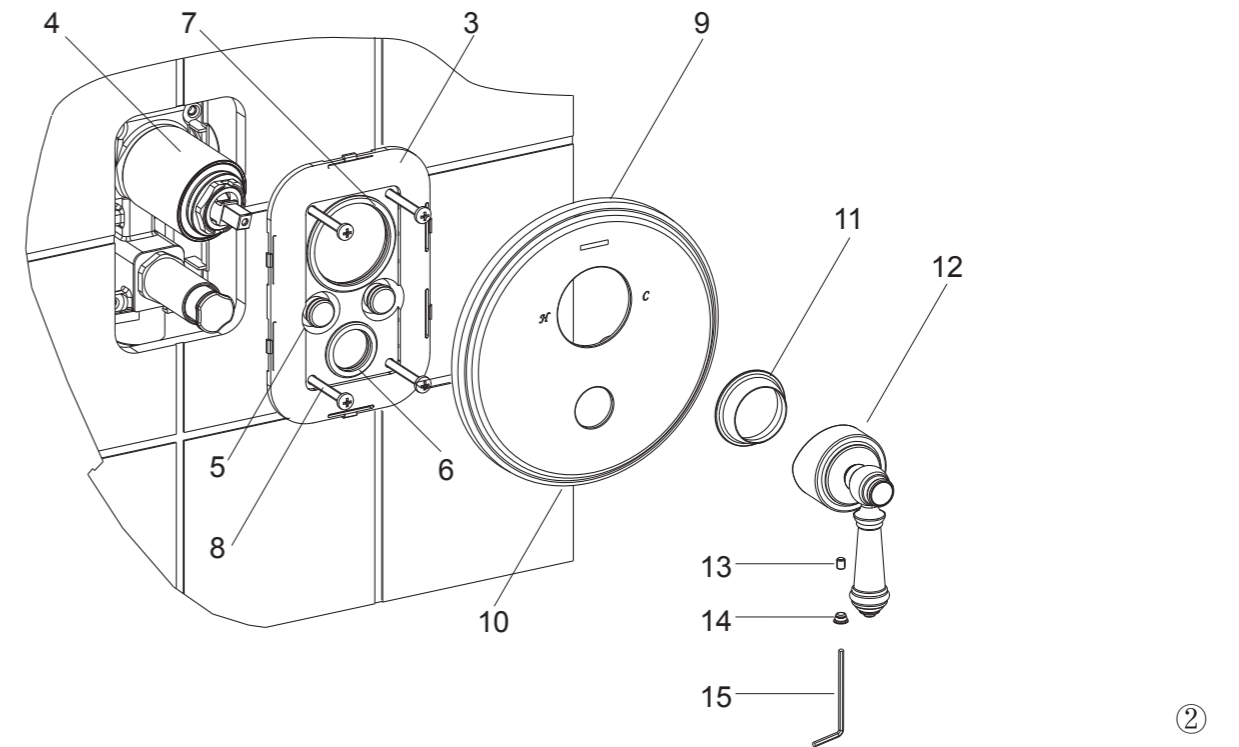
INSTALLATION



NOTE: Install valve 882* according to the rough-in dimensions of 76966T-4, Install valve 880* according to the rough-in dimensions of 76967T-4.

Loosen the screws(1), and remove the plastic guard(2) after completed the finished wall.

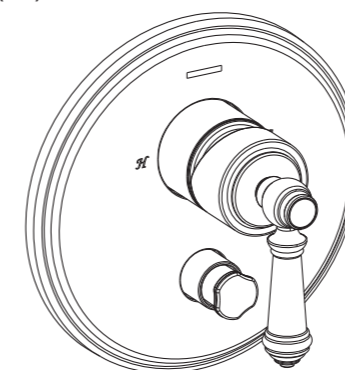
①



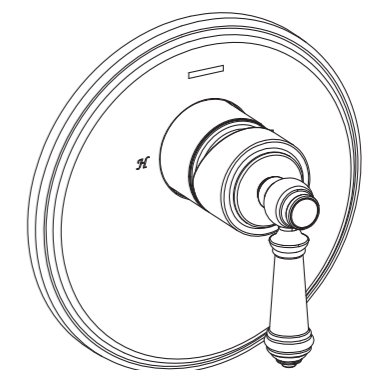
Slide the cover kit(3) onto the valve(4) with the plugs(5) facing outside. **NOTE:** Don't squeeze out the rings(6,7). Push it against the wall.

Secure it with the screw(8). Slide the faceplate(9) onto the valve with slots (10) downwards. Push it against the wall.

Install the bonnet(11) onto the valve as the figure shown. Install the handle(12) on the valve stem with the handle vertically downwards. Tighten the screw(13) by hex wrench(15) to secure the handle. Press the plug button(14).



76966T-4



76967T-4

The illustration shown is the correct position of the handle in the closed position.

CLEANING INSTRUCTIONS

All Finishes: Clean the finish with mild soap and warm water. Wipe entire surface completely dry with clean soft cloth. Many cleaners may contain chemicals, such as ammonia, chlorine, toilet cleaner etc, which could adversely affect the finish and are not recommended for cleaning.

Do not use abrasive cleaners or solvents on Kohler faucets and fittings.