

INSTALLATION

How to Install the Column

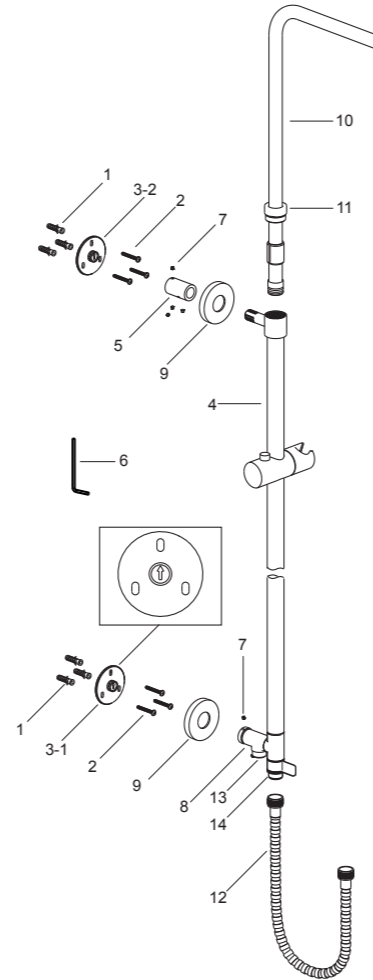
Select a location in vertical wall to install shower column according to rough-in dimensions. Drill the lower hole as anchor(1) diameter and lower base(3-1) position in the finished wall(**NOTE:** The arrow in the base is upward). Press anchors into the hole, secure the base by the screw(2).

Rehearse the slide bar kit(4) installation for the upper base(3-2) mounting location determination. Slide the tube joint(5) onto the slide bar kit, and connect them to the base (**NOTE:** The arrow in the base is upward). Install the screws(7) into the tube joint with the hex wrench(6), and tighten them.

Place the slide bar and the body against the finished wall. Connect the lower base and the diverter body kit(8). Position and tighten them by hex wrench(7). Mark the hole of upper base(3-2) with a pencil. Uninstall the slide bar kit and tube joint.(**NOTE:** Don't lose the screws.)

Drill holes on the mark. Press the anchors into the holes. Secure the upper base(3-2) by the screws. Install the tube joint(5) to the base(3-2) and tighten them by screws. Reinstall the slide bar kit with escutcheons (9) to the bases. Tighten the screws with the hex wrench. Screw the escutcheons with the bases until against the finished wall.

Install the tube kit(10) into the slide bar kit. Install the nut(11) onto the tube kit with soft cloth between internal hole of the nut and the tube kit. Then screw the nut onto the slide bar kit with strap wrench or soft cloth between the nut and regular wrench. Tighten hose(12) to the outlet and the connector(14). Connector(13) is used for handshower.

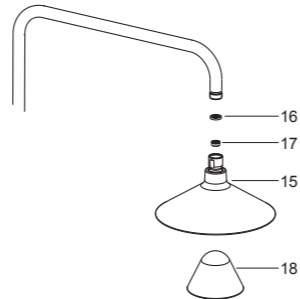


How to Install the Showerhead

Turn the diverter handle, run hot and cold water for one minute to remove any debris before the showerhead(15) is installed.

Put the regulator(17) into the showerhead inlet if needed. Connect the showerhead to the tube kit outlet with the washer(16), and tighten the showerhead with strap wrench.

Press the silicone cover onto moxie wireless speaker(18), put them gently into the showerhead.



INSTALLATION CHECKOUT

Ensure that all connections are tight. Turn on the drain and main water supply, and check for leaks. Repair as needed.

CLEANING INSTRUCTIONS

All Finishes: Clean the finish with mild soap and warm water. Wipe entire surface completely dry with clean soft cloth. Many cleaners may contain chemicals, such as ammonia, chlorine, toilet cleaner etc. which could adversely affect the finish and are not recommended for cleaning.

Do not use abrasive cleaners or solvents on Kohler faucets and fittings.

How to Operate the Wireless Speaker

WARNING: Risk of property damage. Do not expose batteries to sunlight, fire, or other forms of excessive heat.

CAUTION: Risk of product damage. Do not submerge the wireless speaker.

CAUTION: Risk of product damage. The wireless speaker and battery are rated to operate in temperatures up to 140°F(60°C). Do not expose to heat sources or install in any location where the temperature may exceed 140°F(60°C).

- This wireless speaker complies with FCC, IC, SRRC and CE.
- To play your personal music files, you need a wireless BLUETOOTH® device.
- This device is rated to IPX4.

Check local regulations for proper disposal.

The BLUETOOTH® word mark and logos are registered trademarks owned by Bluetooth SIG, Inc. and any use of such marks by Kohler Co. is under license. Other trademarks and trade names are those of their respective owners.

- Set your music device to a midrange volume before connecting to the wireless speaker.
- Press the power button for 1 second to power the wireless speaker ON or OFF.
- The light will blink blue to indicate pairing mode.
- Pair with your BLUETOOTH® device. If a password is required, enter "0000".

The light will turn solid blue when connected.
NOTE: If pairing is lost, the wireless speaker will power OFF after 90 seconds.

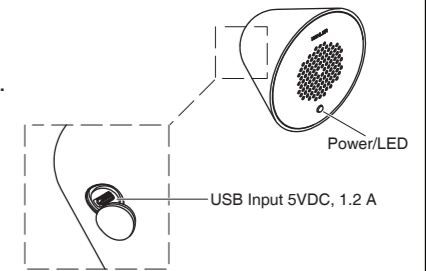
- Use the USB cable provided to recharge.

LED Status---Operating Mode

- Blue blink---BLUETOOTH pairing mode.
- Blue---Connected to a BLUETOOTH device.
- Blue/red blink---Connected to a BLUETOOTH device.
Battery is low.

LED Status---Charging Mode

- Red blink---Battery is charging.
- Red---Battery recharge is complete.



For troubleshooting information, refer to homeowners Guide on your product detail page at www.kohler.com.cn, www.kohler.com.hk, www.kohlerasiapacific.com and www.kohlerthai.com.

Statistics of Contents of Toxic or Hazardous Substances or Elements

Part name	Toxic or Hazardous Substance or Elements					
	Lead (Pb)	Mercury (Hg)	Cadmium (Cd)	Hexavalent Chromium (Cr(VI))	Polybrominated biphenyls (PBB)	Polybrominated Diphenyl Ethers (PBDE)
Column Assy.	×	○	○	○	○	○
Showerhead Assy.	×	○	○	○	○	○
Sounder Assy.	×	○	○	○	○	○

○: Indicates that the substance in the material composition is below the high limits of the current requirements in GB/T 26572.

×: Indicates that at least one of the homogeneous substance in the material composition is below the high limits of the current requirements in GB/T 26572.

Note: the information provided is based on the supplier data and Kohler inspection results. The product is designed not to hurt the environment. Under current technology, all hazardous materials have been used in the smallest amounts possible. Kohler will strive to reduce the use of these hazardous materials used in this product.



The product "service life for environment protection" is 10 years; Kohler Company will specify product service life based on product characteristics. The product "service life for environment protection" is only effective when the product is used as described in the product specification.