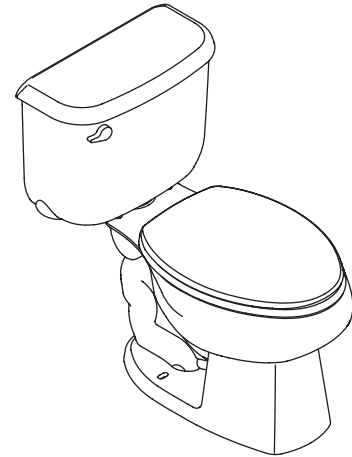


Features

- Vitreous china
- Elongated bowl
- Includes seat
- Includes polished chrome trip lever
- Rim jet flushing system
- 6 liter per flush
- 305 mm rough-in for S-trap
- 743 x 460 x 730 mm

TWO-PIECE TOILET WITH SEAT K-11481X



Codes/Standards Applicable

Specified model meets or exceeds the following:

- ASME A112.19.2/CSA B45.1
- TIS 792-2554

Technical Information

Fixture:	
Configuration	two-piece, elongated
Water per flush	6 liter
Passageway	51 mm
Water area	229 x 203 mm
Water depth from rim	178 mm
Seat post hole centers	140 mm

Included Components:	
Bowl	K-8755X-6
Tank	K-8819X
Tank cover	84624-SP
Seat	K-4664X

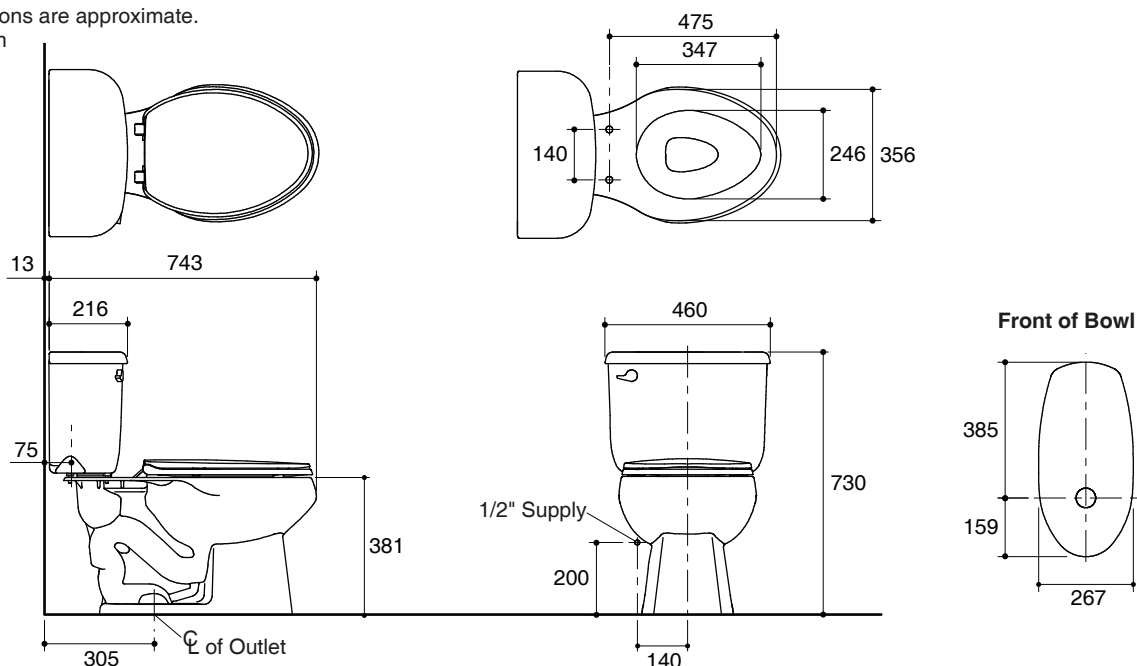
Installation Notes

Install this product according to the installation guide.

Specified Model

Model	Description	Color/Finished
K-11481X	Windham NS two-piece toilet, S-trap with seat	0: White

Dimensions are approximate.
Unit: mm



Note: The recommended dimension for installation can be adjusted according to user preferences and layout.

Product Diagram

