

SINGLE-HOLE LAVATORY FAUCET K-660X

Features

- Brass construction
- Single-hole mounting
- One-piece, self-contained ceramic disc valve allows both volume and temperature control
- Flexible connections for easy installation
- Includes pop-up drain with lift rod and tailpiece
- 102 mm spout reach
- Lever handle

Codes/Standards Applicable

Specified model meets or exceeds the following:

- TIS 2067-2552

Installation Notes

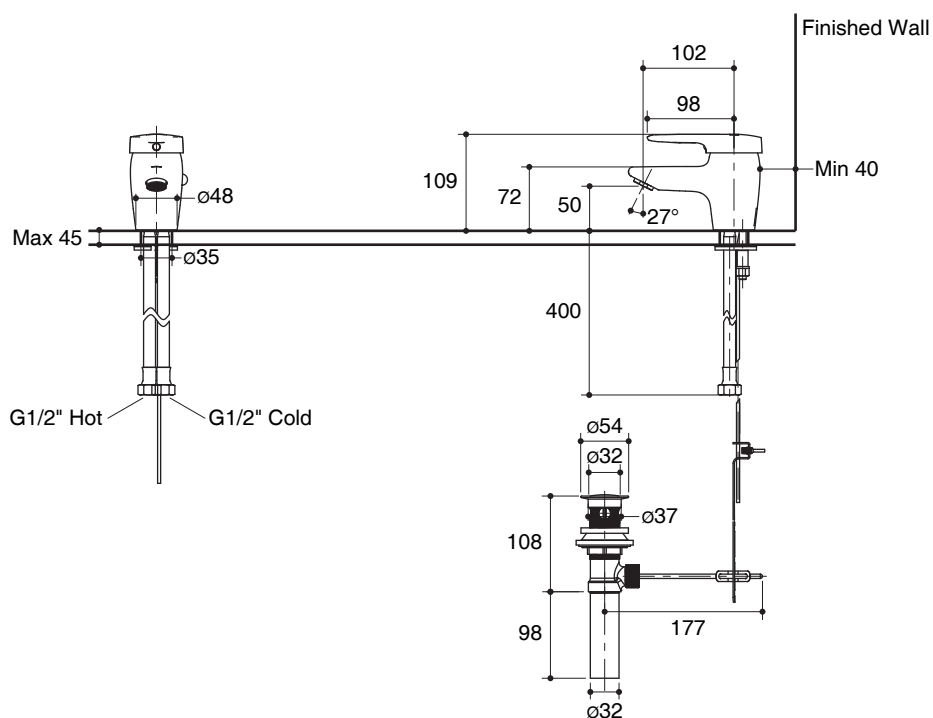
Install this product according to the installation guide.



Specified Model

Model	Description	Color/Finished
K-660X	Candide single-hole lavatory faucet	CP: Polished Chrome

Dimensions are approximate.
Unit: mm



Product Diagram

