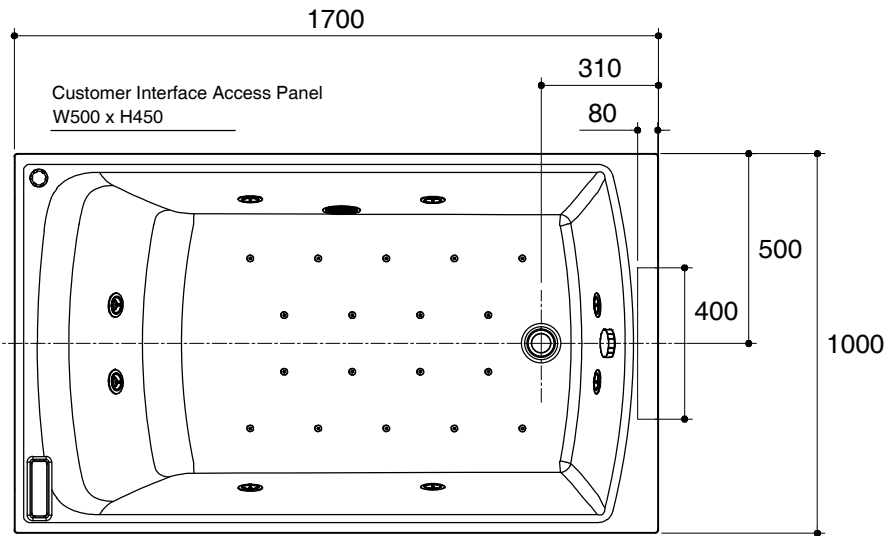
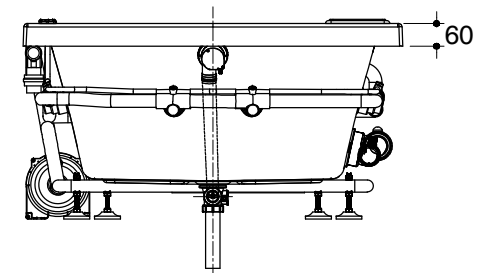
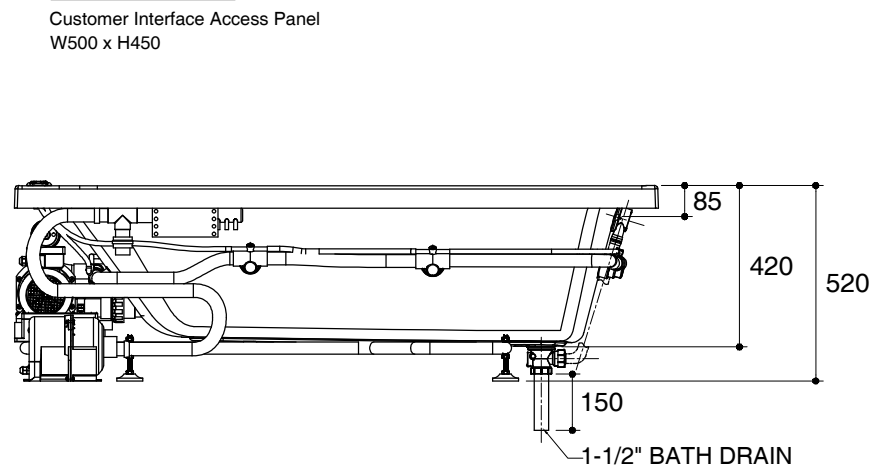


Dimensions are approximate.

Unit: mm



Pump(Blower Motor)  
Control Access  
W500xH450



SKU	K-97260X-G2-0
Name	PATIO
Description	1700 DUAL SYSTEM BATH RIGHT ELECTRONIC KEYPAD

**KOHLER**

\*The recommended dimension for installation can be adjusted according to user preferences and layout.