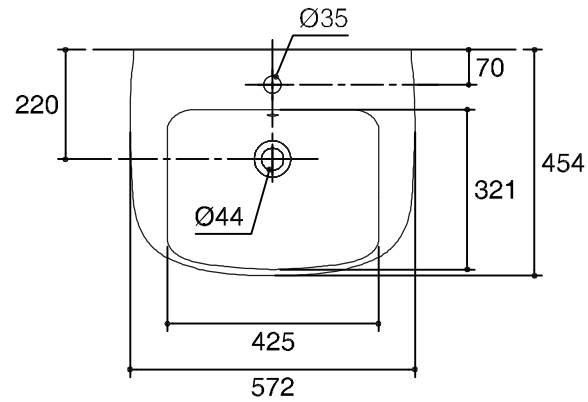


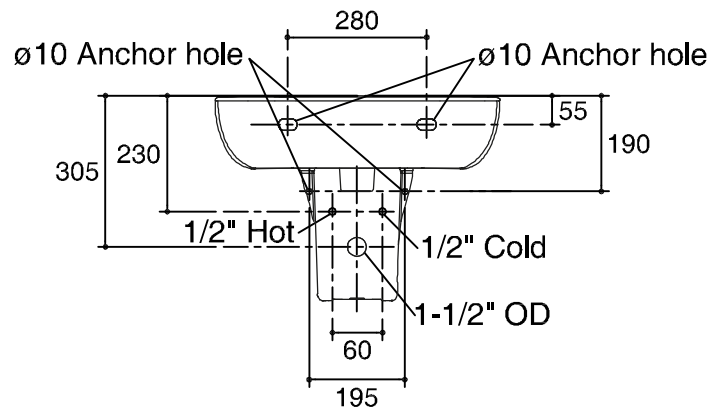
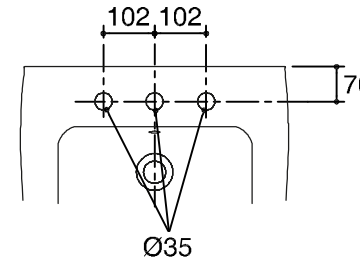
Dimensions are approximate.

Unit: mm.

K-18564X-1



K-18564X-8



Finished Wall

410

Finished Floor

SKU	K-18564X-0 , K-18566X-0
Name	REACH LAVATORY
Description	LAVATORIES

* The recommended dimension for installation can be adjusted according to user preferences and layout.

KOHLER