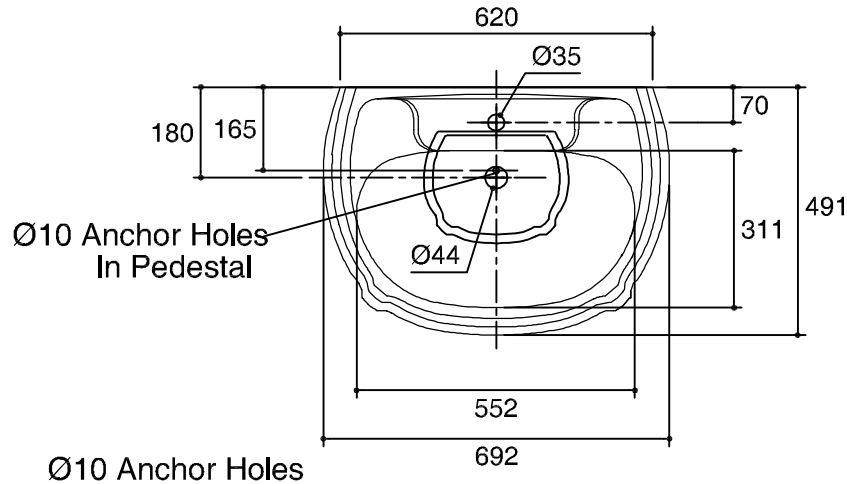


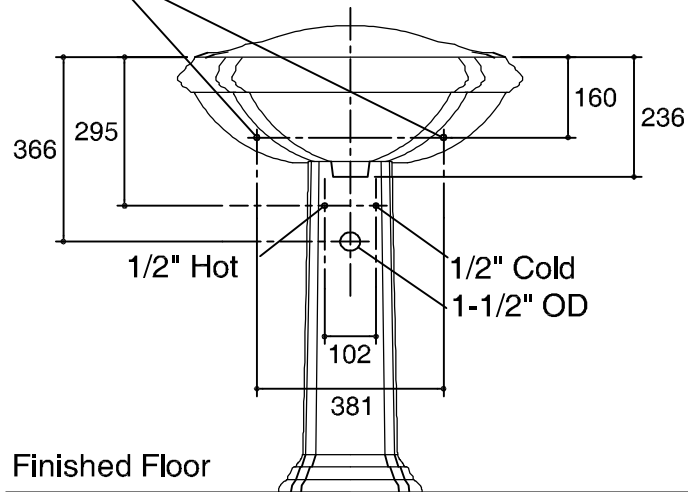
Dimensions are approximate.

Unit: mm.

K-2222X-1

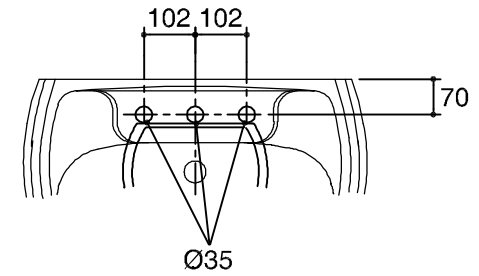


Ø10 Anchor Holes

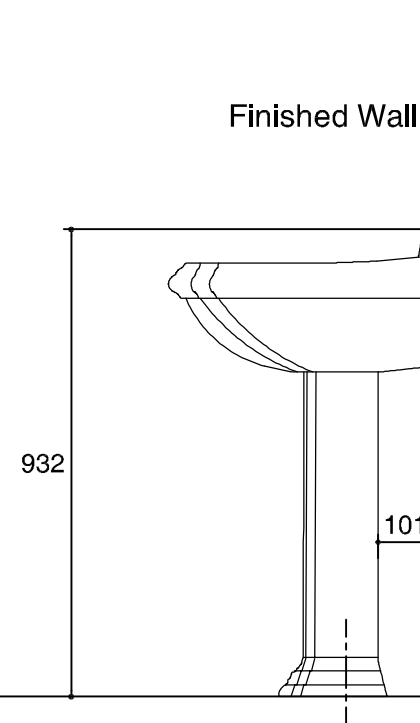


Finished Floor

K-2222X-8



Finished Wall



SKU	K-2222X-0 , K-2223X-0
Name	PORTRAIT LAVATORY
Description	LAVATORIES

KOHLER

* The recommended dimension for installation can be adjusted according to user preferences and layout.