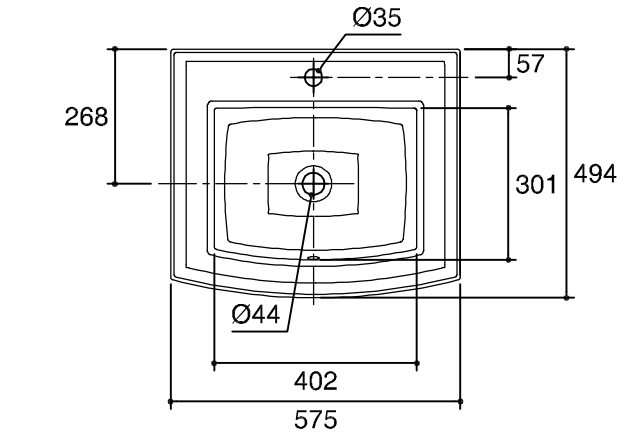
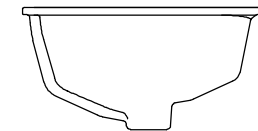
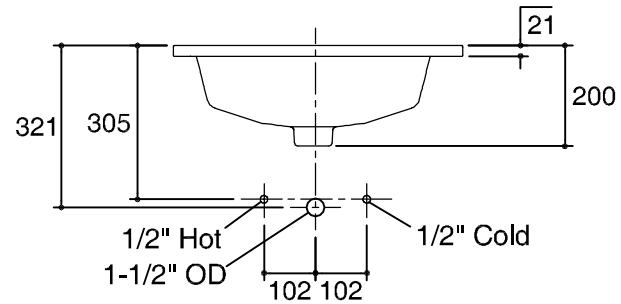
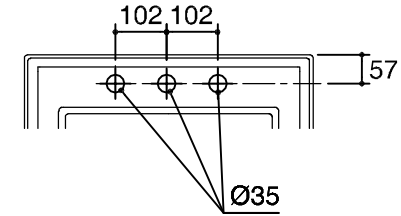


Dimensions are approximate.  
Unit: mm.

**K-2356X-1**



**K-2356X-8**



<b>SKU</b>	K-2356X-1-0,K-2356X-8-0
<b>Name</b>	ARCHER
<b>Description</b>	LAVATORY

**KOHLER**

\* The recommended dimension for installation can be adjusted according to user preferences and layout.