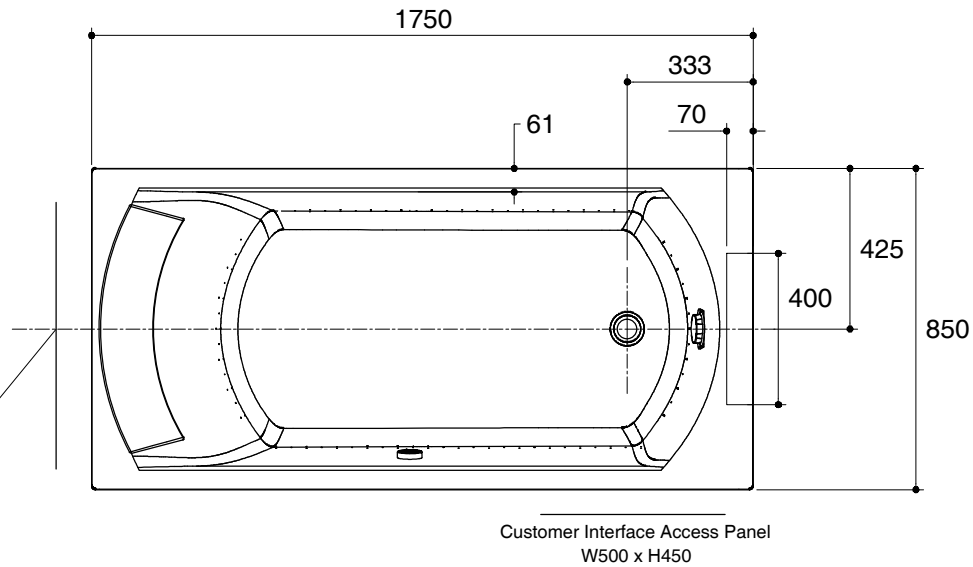



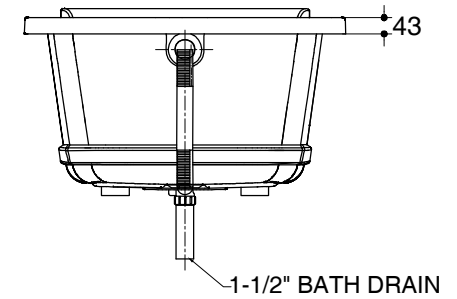
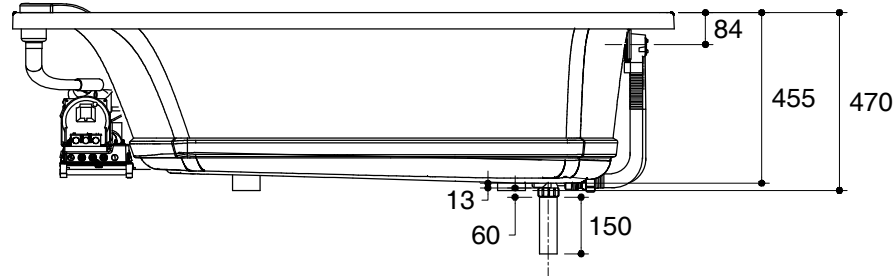
Dimensions are approximate.

Unit: mm



 Recommended Faucet Area

Pump(Blower Motor)
Control Access
Minimum W500xH450



SKU	K-97195X-G21P-0
Name	OVE
Description	BUBBLE MASSAGE BATH ORANGE PILLOW RIGHT ELECTRONIC KEYPAD

KOHLER

*The recommended dimension for installation can be adjusted according to user preferences and layout.