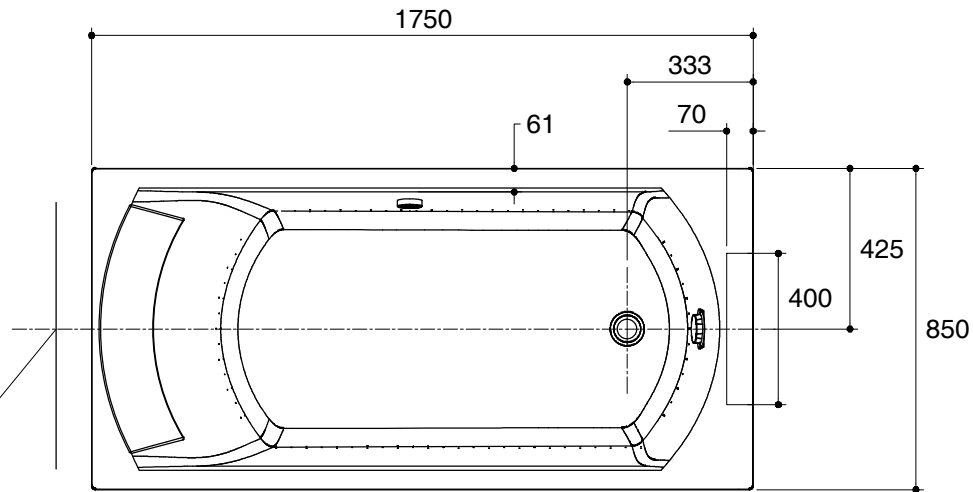



Dimensions are approximate.

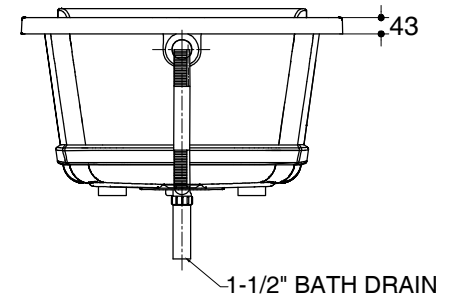
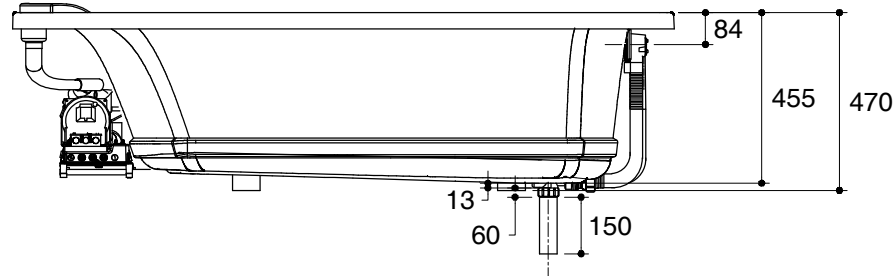
Unit: mm



Customer Interface Access Panel
W500 x H450

 Recommended Faucet Area

Pump(Blower Motor)
Control Access
Minimum W500xH450



SKU	K-97195X-G158-0
Name	OVE
Description	BUBBLE MASSAGE BATH GRAY PILLOW LEFT ELECTRONIC KEYPAD

KOHLER

*The recommended dimension for installation can be adjusted according to user preferences and layout.