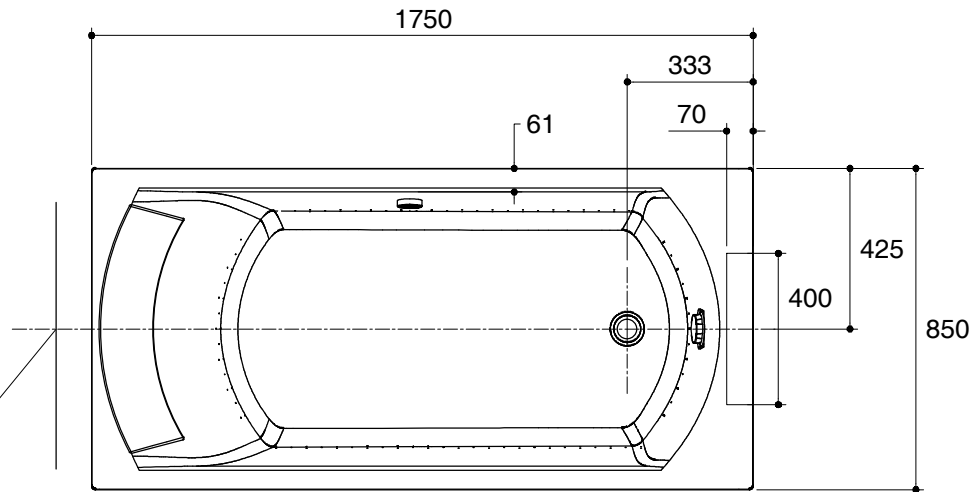



Dimensions are approximate.

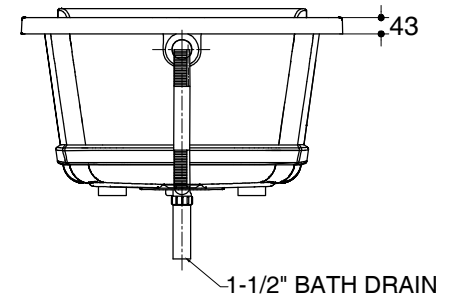
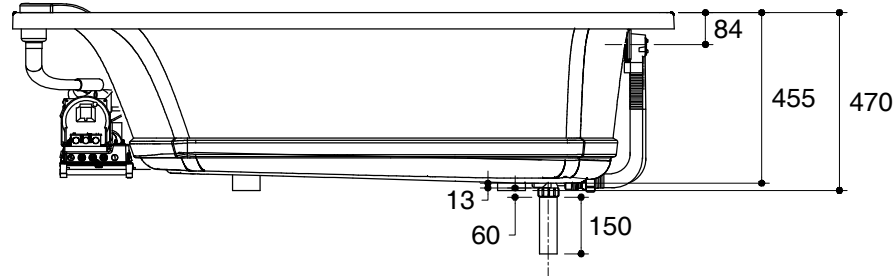
Unit: mm



Customer Interface Access Panel
W500 x H450

 Recommended Faucet Area

Pump(Blower Motor)
Control Access
Minimum W500xH450



| | |
|-------------|---|
| SKU | K-97195X-G1-0 |
| Name | OVE |
| Description | BUBBLE MASSAGE BATH WHITE PILLOW LEFT ELECTRONIC KEYPAD |

KOHLER

*The recommended dimension for installation can be adjusted according to user preferences and layout.