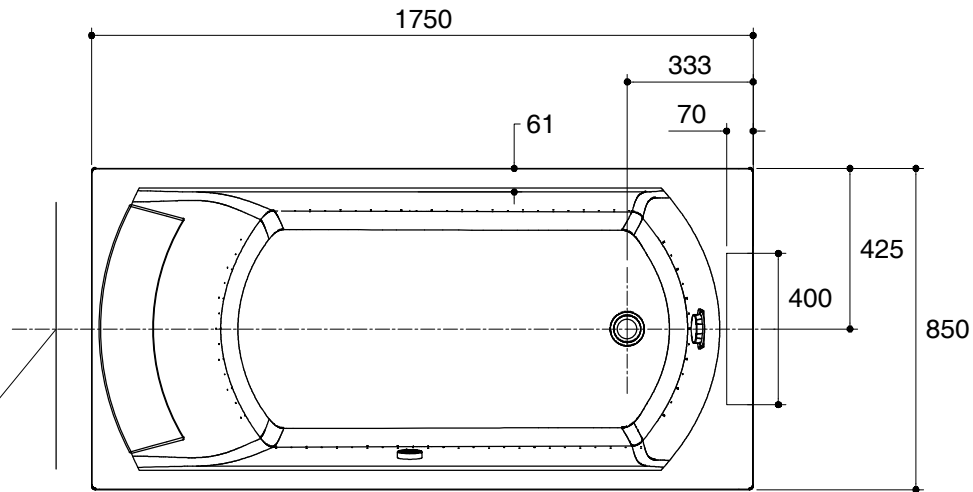



Dimensions are approximate.

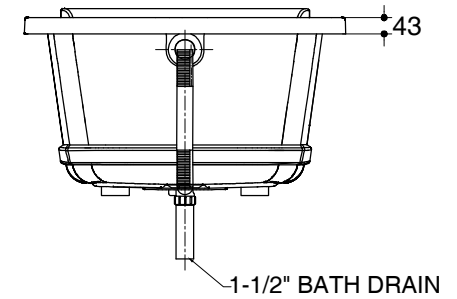
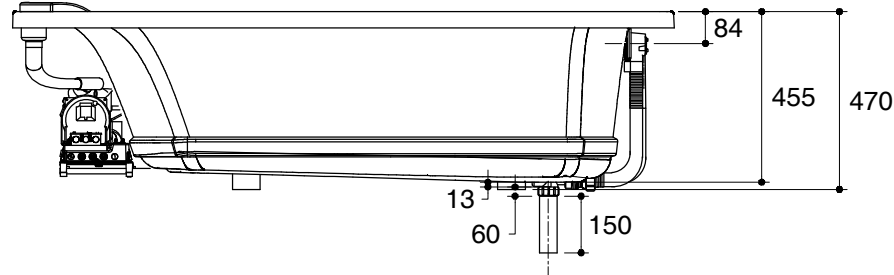
Unit: mm



 Recommended Faucet Area

Customer Interface Access Panel  
W500 x H450

Pump(Blower Motor)  
Control Access  
Minimum W500xH450



SKU	K-97195X-G2-0
Name	OVE
Description	BUBBLE MASSAGE BATH WHITE PILLOW RIGHT ELECTRONIC KEYPAD

**KOHLER**

\*The recommended dimension for installation can be adjusted according to user preferences and layout.