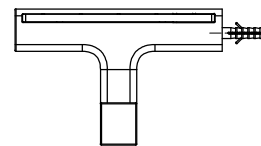
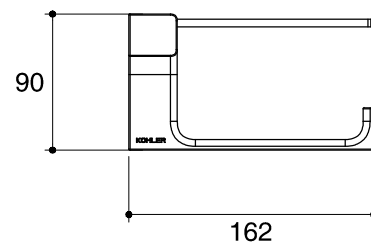
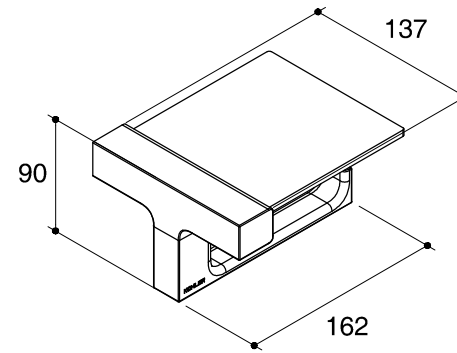
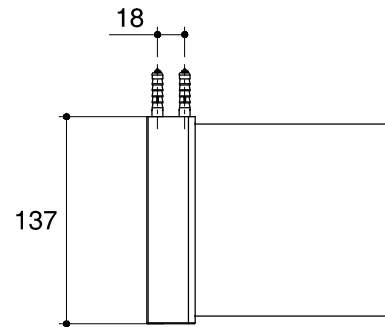


Dimensions are approximate.

Unit: mm



*The recommended dimension for installation can be adjusted according to user preferences and layout.

SKU	K-37351X-CP
Name	STRAYT
Description	COVERED TOILET TISSUE HOLDER

KOHLER