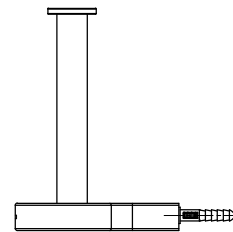
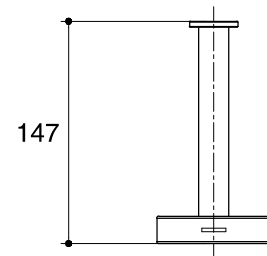
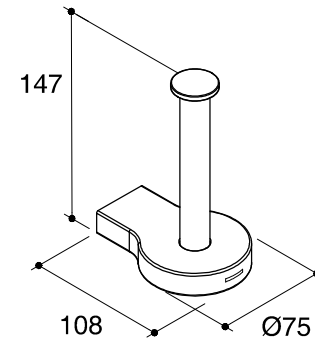
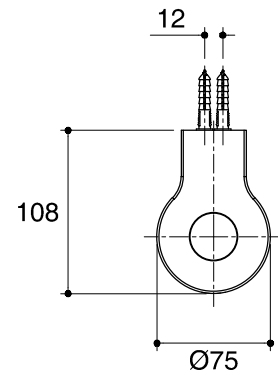


Dimensions are approximate.

Unit: mm



SKU	K-15217T-CP
Name	SINGULIER
Description	VERTICAL TOILET TISSUE HOLDER

KOHLER

*The recommended dimension for installation can be adjusted according to user preferences and layout.