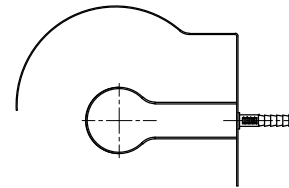
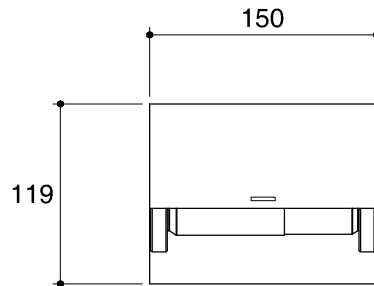
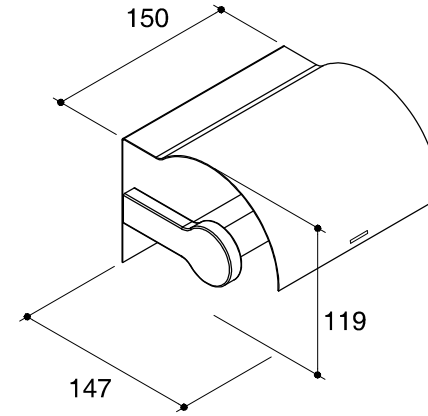
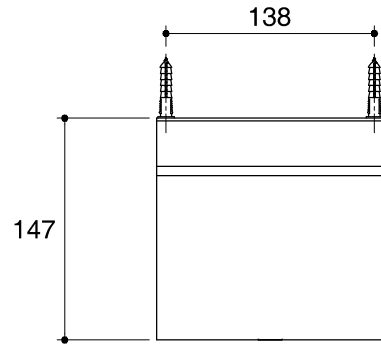


Dimensions are approximate.

Unit: mm



SKU	K-15207T-CP
Name	SINGULIER
Description	COVERED TOILET TISSUE HOLDER

*The recommended dimension for installation can be adjusted according to user preferences and layout.

KOHLER