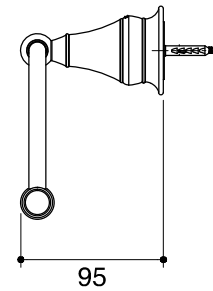
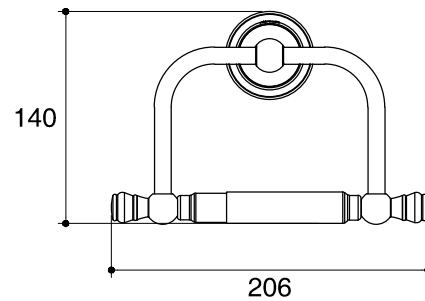
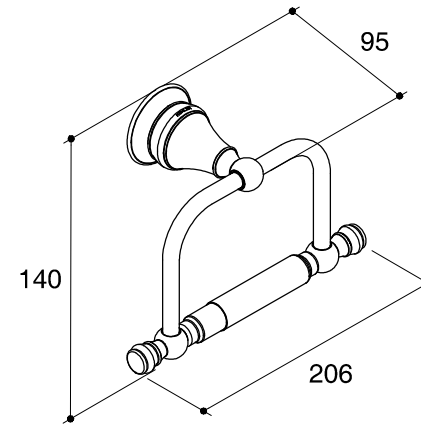
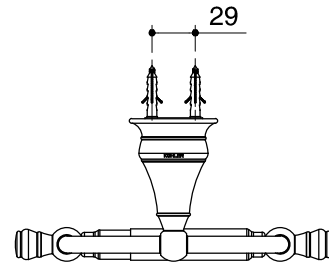


Dimensions are approximate.

Unit: mm



SKU	K-16141-CP
Name	REVIVAL
Description	TOILET TISSUE HOLDER

*The recommended dimension for installation can be adjusted according to user preferences and layout.

KOHLER