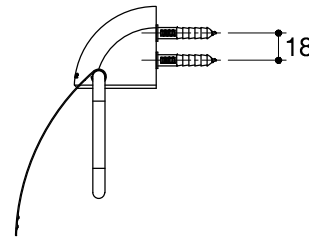
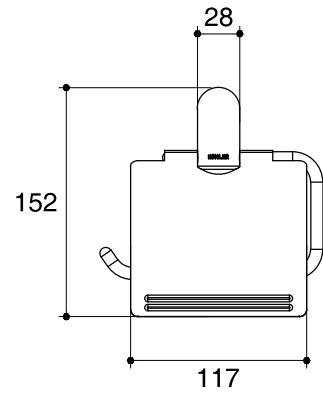
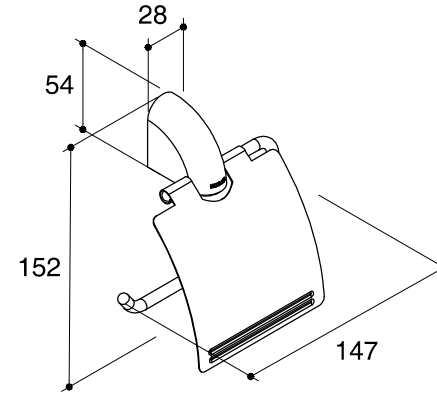
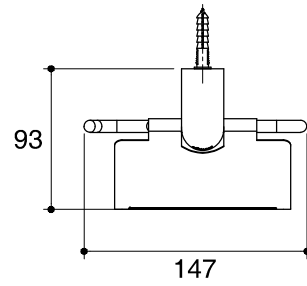


Dimensions are approximate.
Unit: mm



*The recommended dimension for installation can be adjusted according to user preferences and layout.

SKU	K-18428X-CP
Name	LISON
Description	COVERED TOILET TISSUE HOLDER

KOHLER