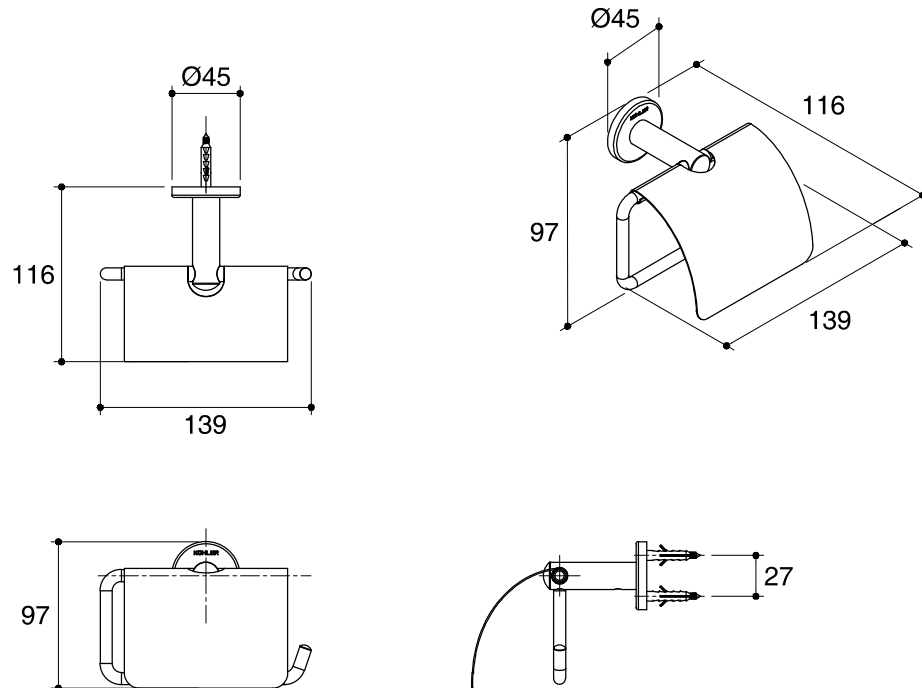


Dimensions are approximate.

Unit: mm



SKU	K-97901T-CP
Name	KUMIN
Description	COVERED TOILET TISSUE HOLDER

*The recommended dimension for installation can be adjusted according to user preferences and layout.

KOHLER