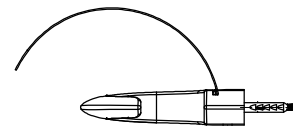
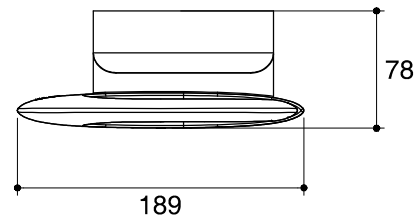
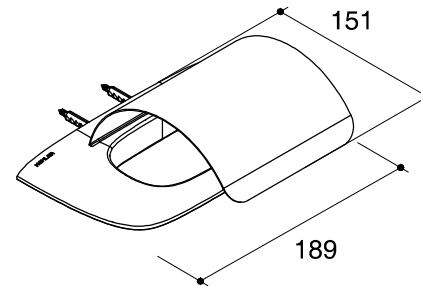
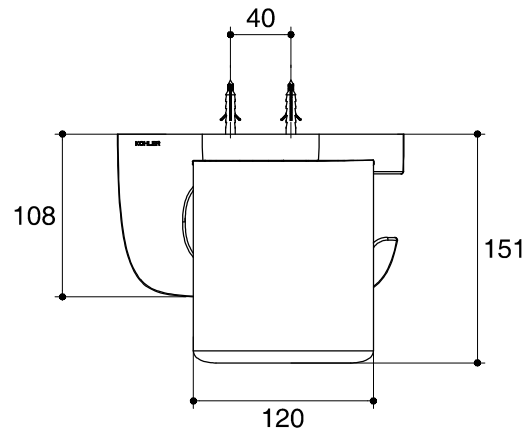


Dimensions are approximate.

Unit: mm



SKU	K-37067X-CP
Name	AIRFOIL
Description	COVERED TOILET TISSUE HOLDER

\*The recommended dimension for installation can be adjusted according to user preferences and layout.

**KOHLER**