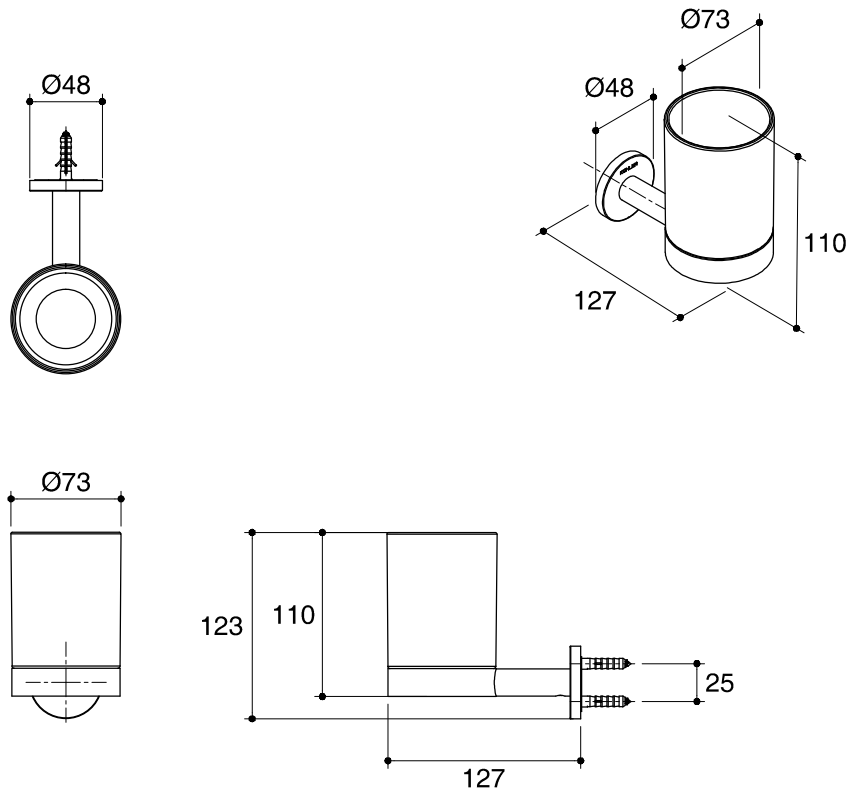


Dimensions are approximate.

Unit: mm



SKU	K-14463-CP
Name	STILLNESS
Description	TUMBLER HOLDER

KOHLER

*The recommended dimension for installation can be adjusted according to user preferences and layout.