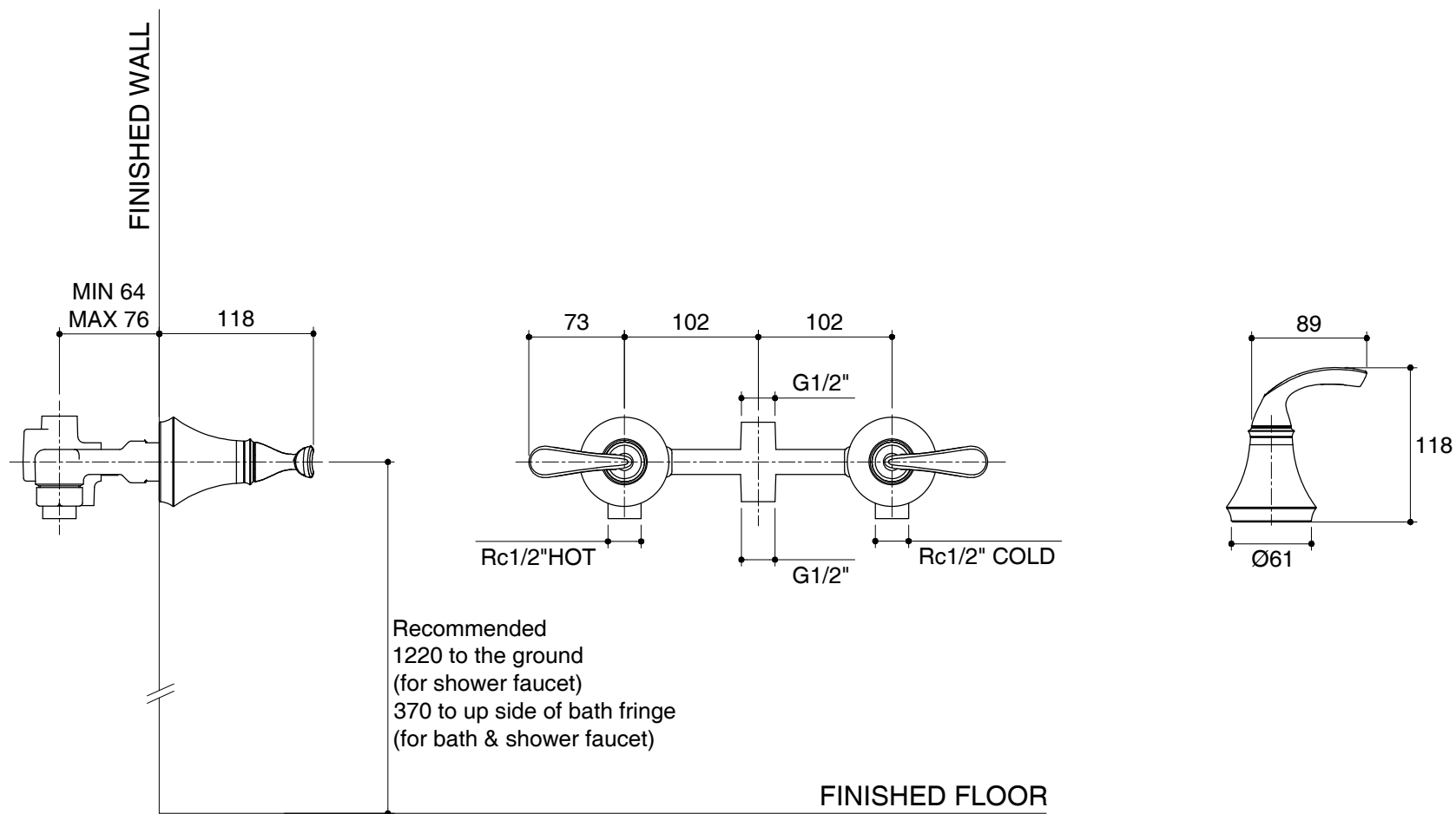


Dimensions are approximate.

Unit: mm



Recommended
 1220 to the ground
 (for shower faucet)
 370 to up side of bath fringe
 (for bath & shower faucet)

SKU	K-13678X-4-CP
Name	FORTE
Description	RECESSED VALVE SYSTEM WITH HANDLE

*The recommended dimension for installation can be adjusted according to user preferences and layout.

KOHLER