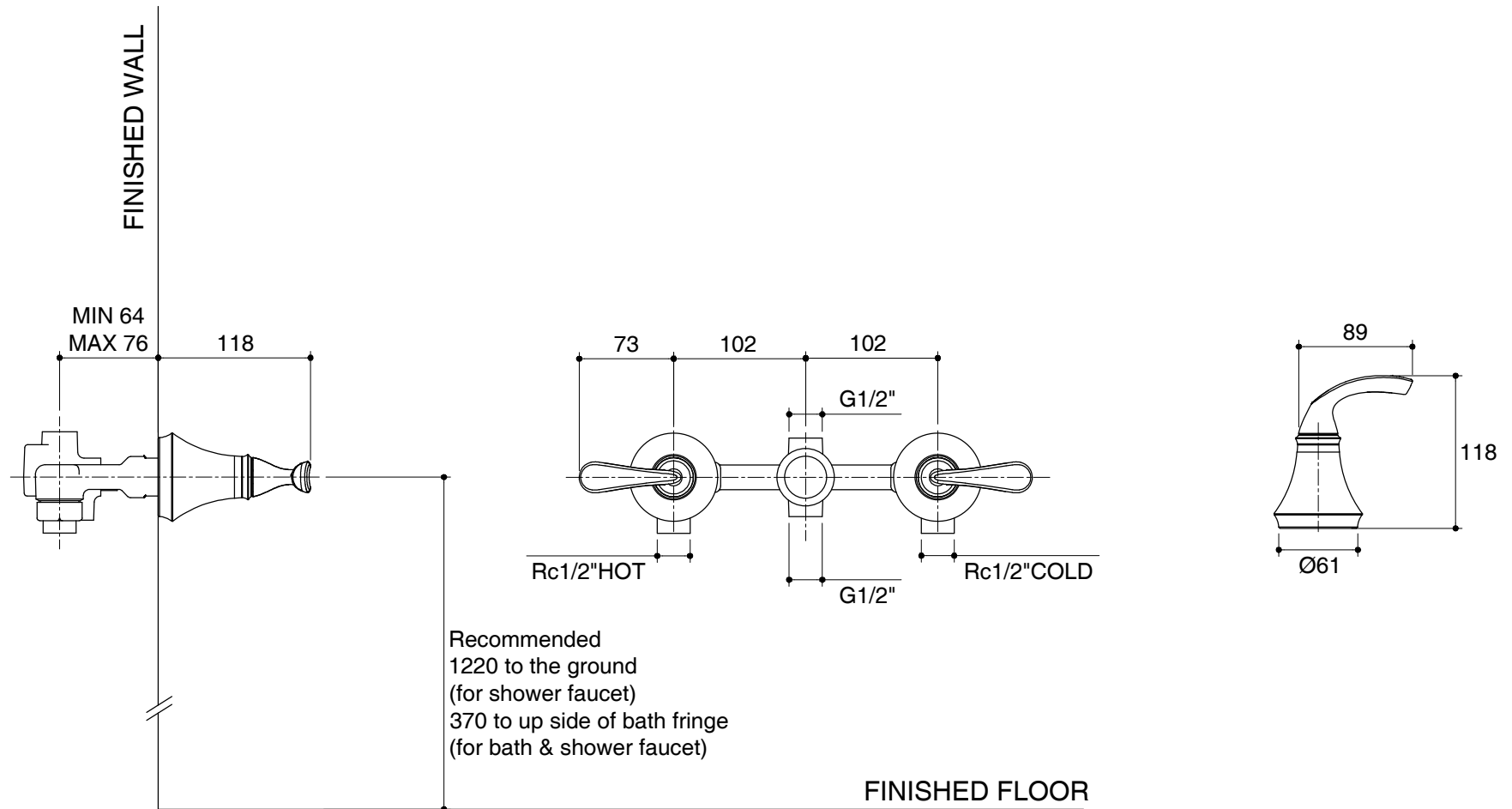


Dimensions are approximate.

Unit: mm



SKU	K-13677X-4-CP
Name	FORTE
Description	RECESSED VALVE SYSTEM WITH HANDLE & DIVERTER

KOHLER

*The recommended dimension for installation can be adjusted according to user preferences and layout.