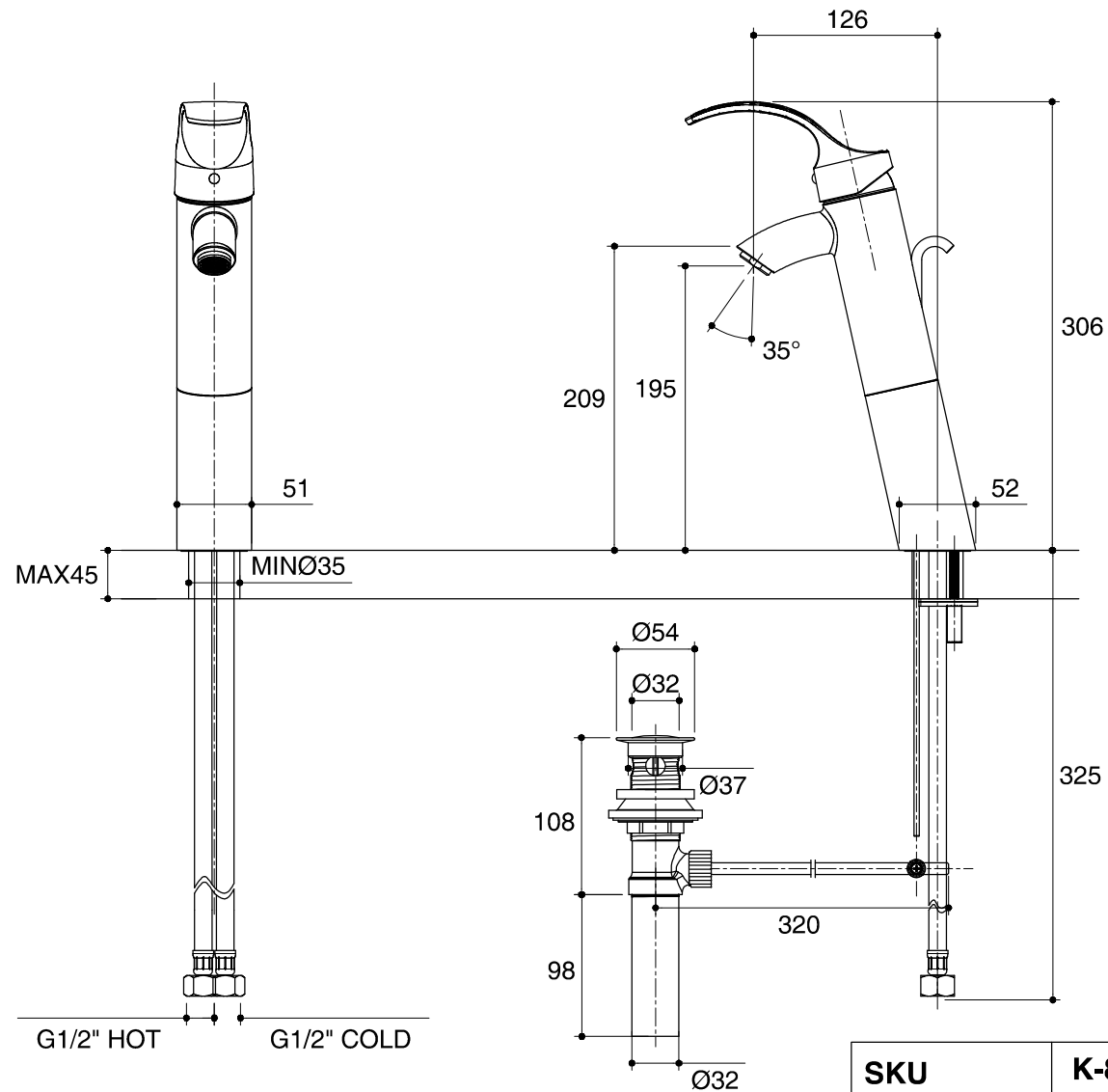


Dimensions are approximate.

Unit: mm



SKU	K-8856X-CP
Name	WAVE
Description	TALL LAVATORY FAUCET

*The recommended dimension for installation can be adjusted according to user preferences and layout.

KOHLER