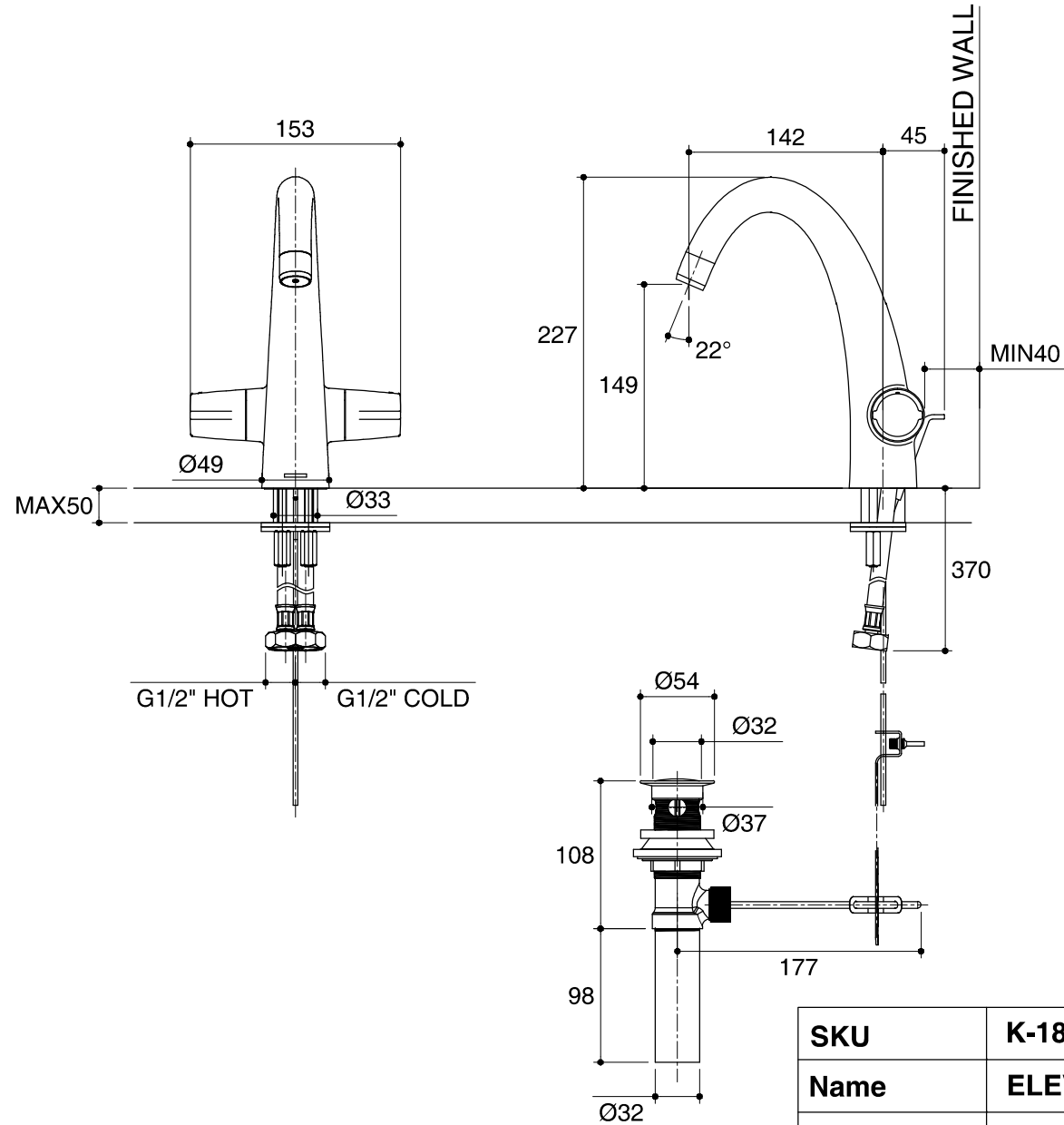


Dimensions are approximate.

Unit: mm



SKU	K-18870X-CP
Name	ELEVATION
Description	2-HANDLE LAVATORY FAUCET

\*The recommended dimension for installation can be adjusted according to user preferences and layout.

**KOHLER**