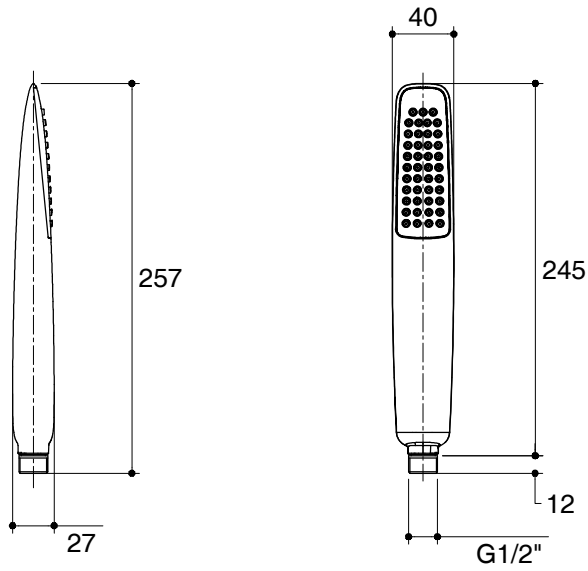


Dimensions are approximate.

Unit: mm



SKU	K-37270X-CP
Name	AIRFOIL
Description	1-WAY HAND SHOWER

*The recommended dimension for installation can be adjusted according to user preferences and layout.

KOHLER