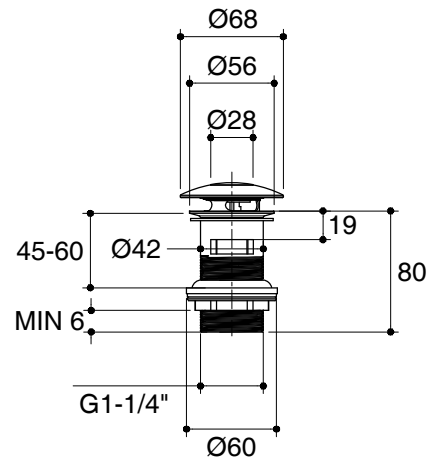


Dimensions are approximate.

Unit: mm



| | |
|--------------------|------------------------------|
| SKU | K-11684X-CP |
| Name | - |
| Description | TOUCH ACTIVATED DRAIN |
| ENGLEFIELD | |

*The recommended dimension for installation can be adjusted according to user preferences and layout.