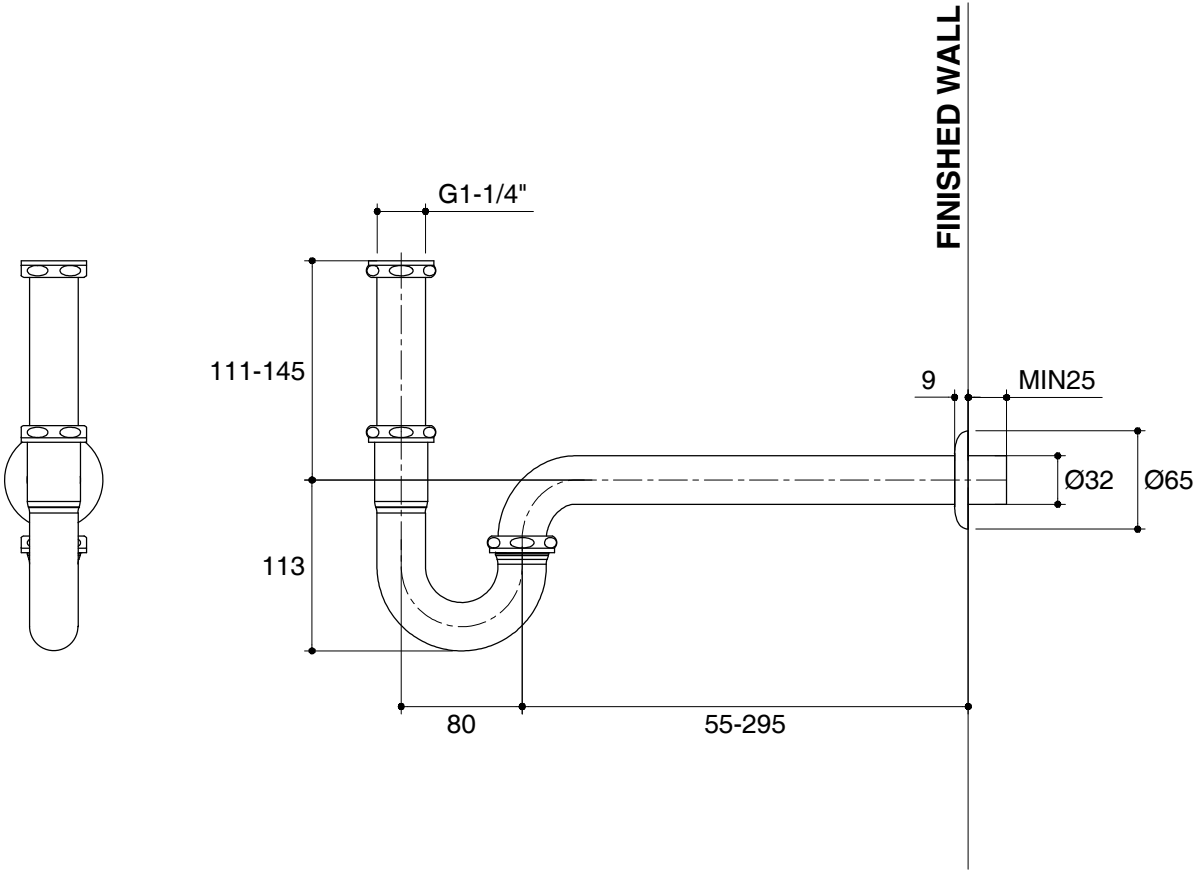


Dimensions are approximate.

Unit: mm



| | |
|-------------|-------------|
| SKU | K-16954X-CP |
| Name | - |
| Description | P-TRAP |

ENGLEFIELD

*The recommended dimension for installation can be adjusted according to user preferences and layout.