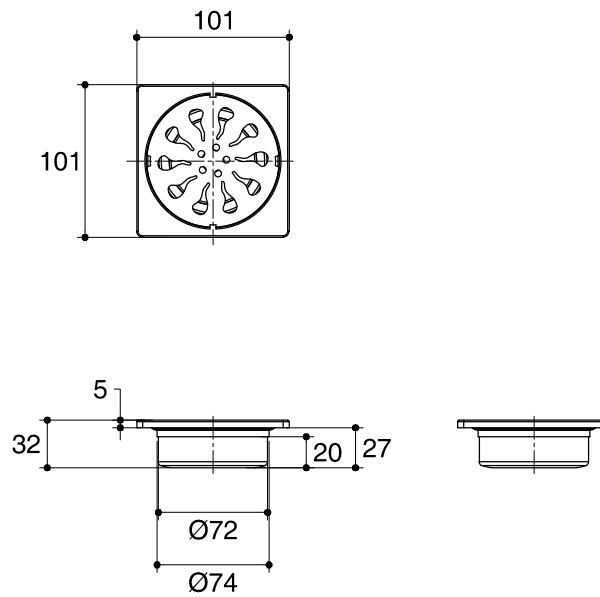


Dimensions are approximate.

Unit: mm



SKU	K-5278X-CP
Name	-
Description	STAINLESS STEEL FLOOR DRAIN - SQUARE

*The recommended dimension for installation can be adjusted according to user preferences and layout.

ENGLEFIELD