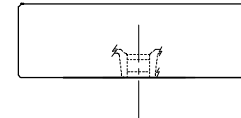
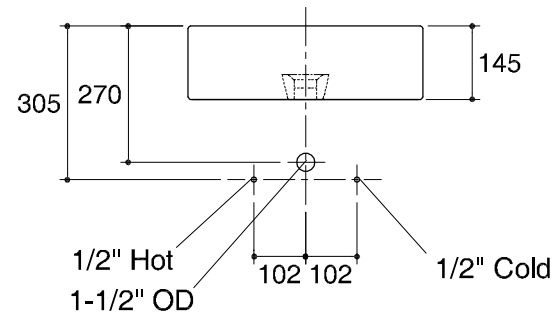
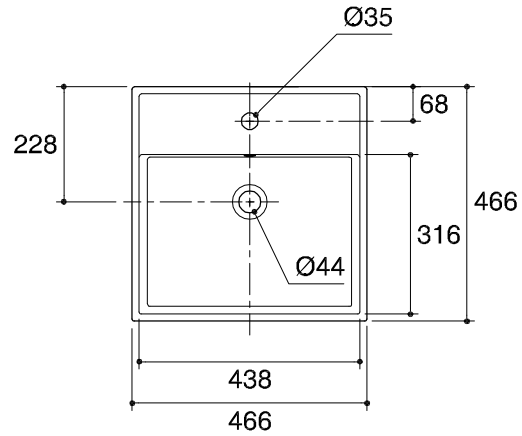


Dimensions are approximate.

Unit: mm.



SKU	K-17556X-1-WK
Name	ALTILO
Description	VESSEL

**KARAT**

\* The recommended dimension for installation can be adjusted according to user preferences and layout.