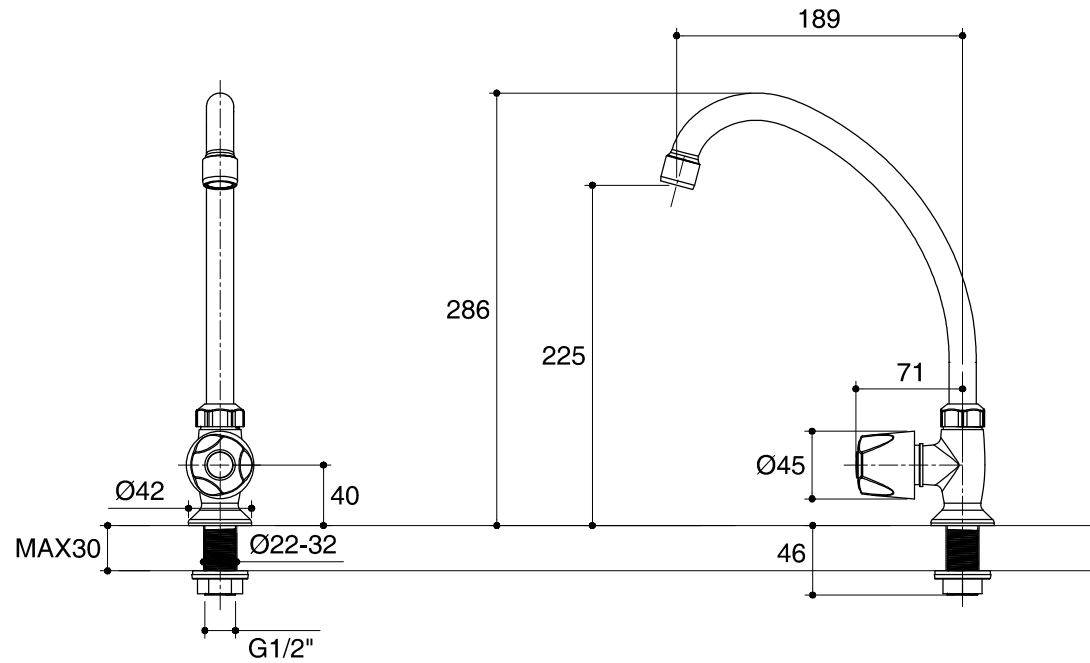


Dimensions are approximate.

Unit: mm



SKU	K-15814X-8-CP
Name	CAPRI
Description	DECK-MOUNT KITCHEN FAUCET - COLD WATER

ENGLEFIELD

*The recommended dimension for installation can be adjusted according to user preferences and layout.