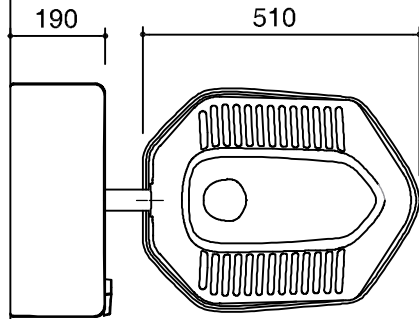
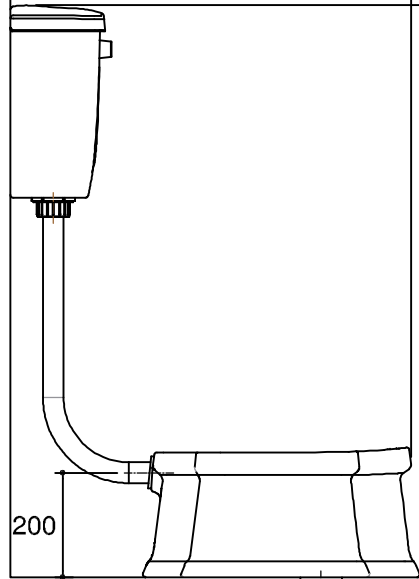


Dimensions are approximate.
Unit: mm.

FINISHED WALL



780



200

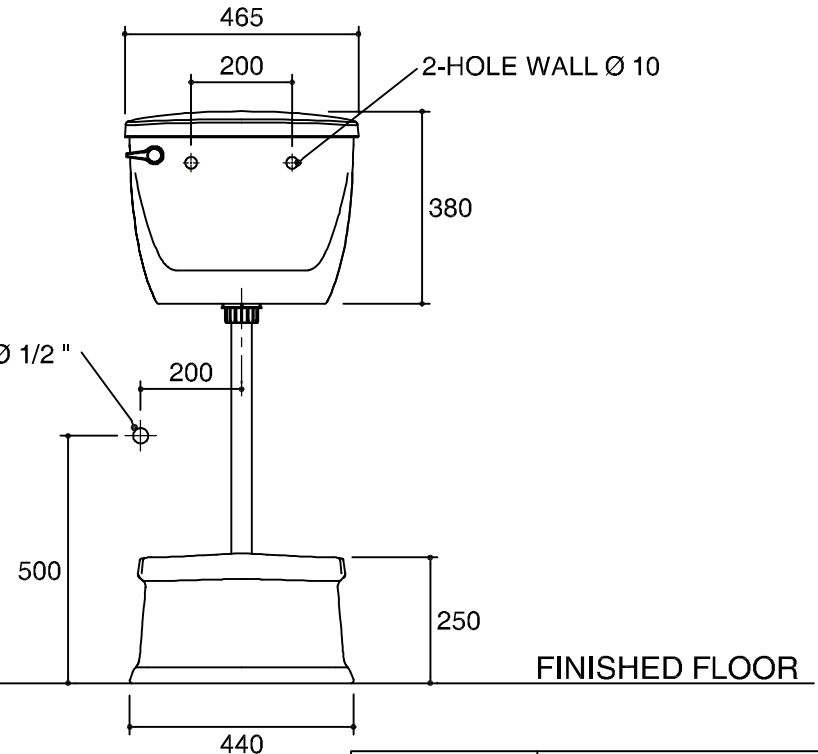
590

345

195

DRAIN Ø 100MAX

WATER SUPPLY Ø 1/2 "



SKU	K-17920X-WK
Name	SQUAT
Description	SQUAT

KARAT

* The recommended dimension for installation can be adjusted according to user preferences and layout.