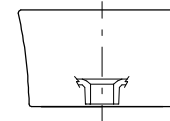
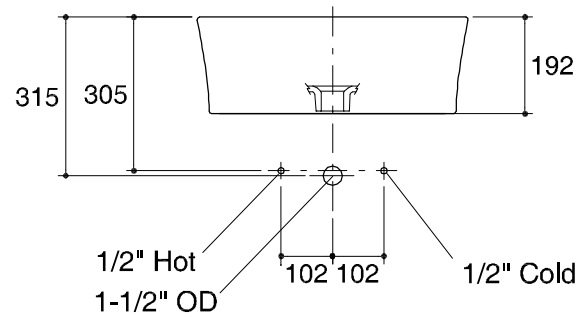
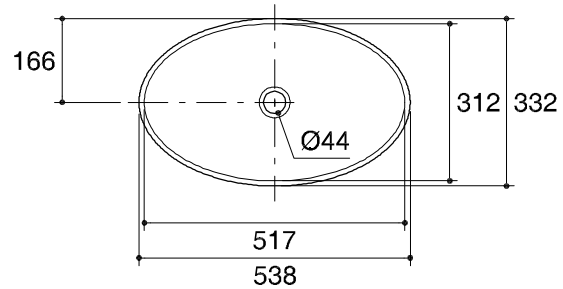


Dimensions are approximate.

Unit: mm.



SKU	K-11022X-WK
Name	TOM TOM
Description	VESSEL

**KARAT**

\* The recommended dimension for installation can be adjusted according to user preferences and layout.