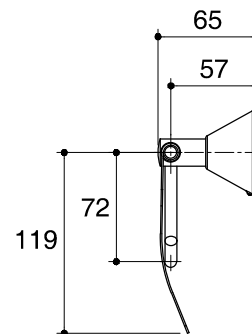
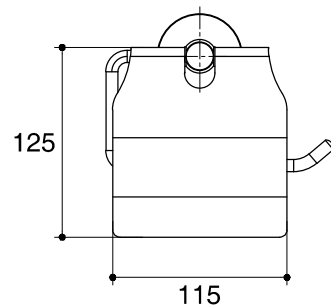
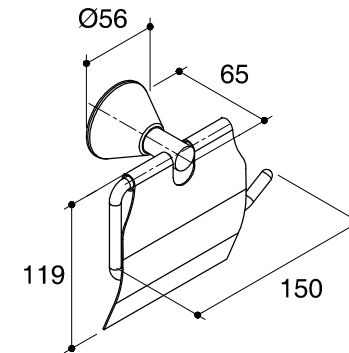
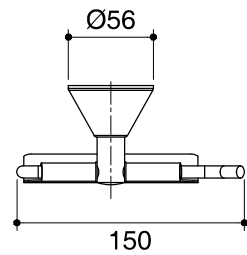


Dimensions are approximate.

Unit: mm



SKU	K-13283X-CP
Name	TULIP
Description	PAPER HOLDER
ENGLEFIELD	

*The recommended dimension for installation can be adjusted according to user preferences and layout.